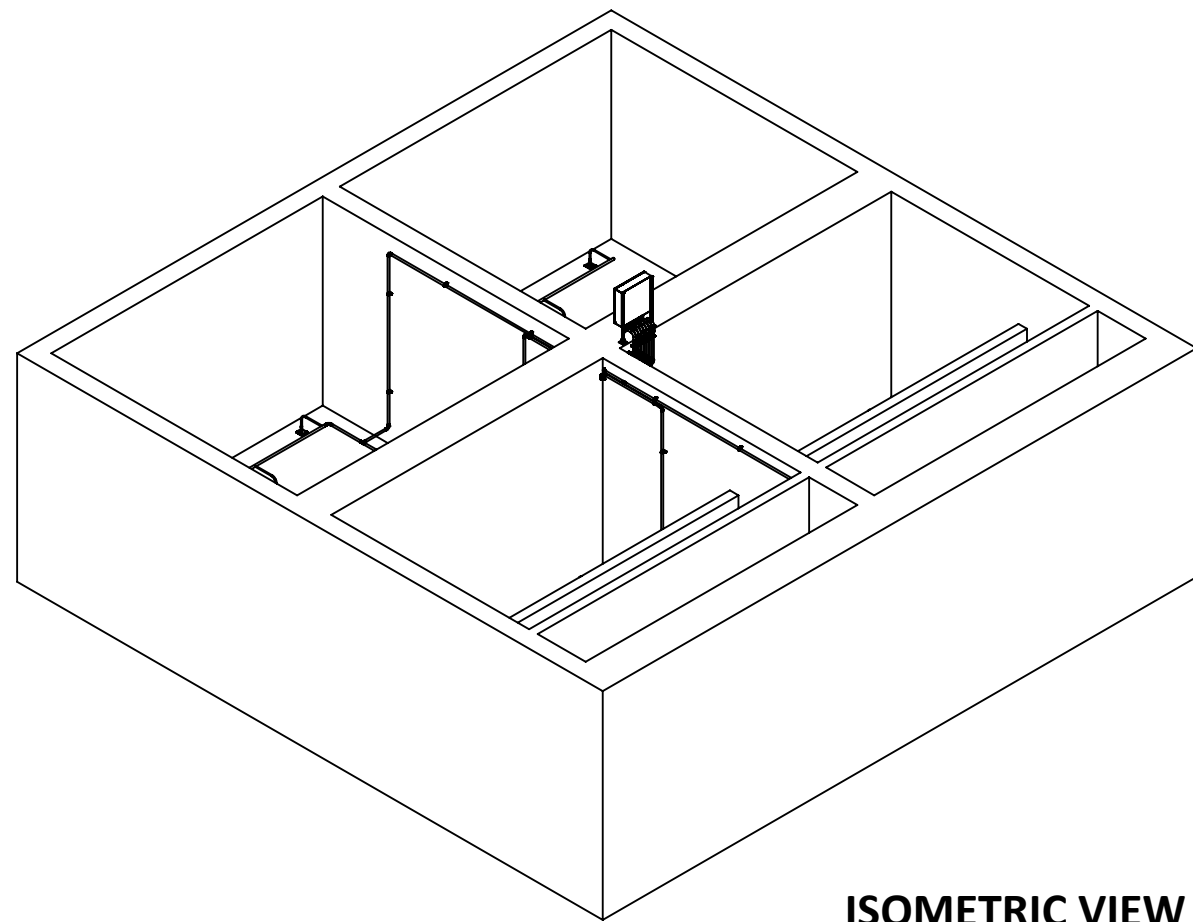
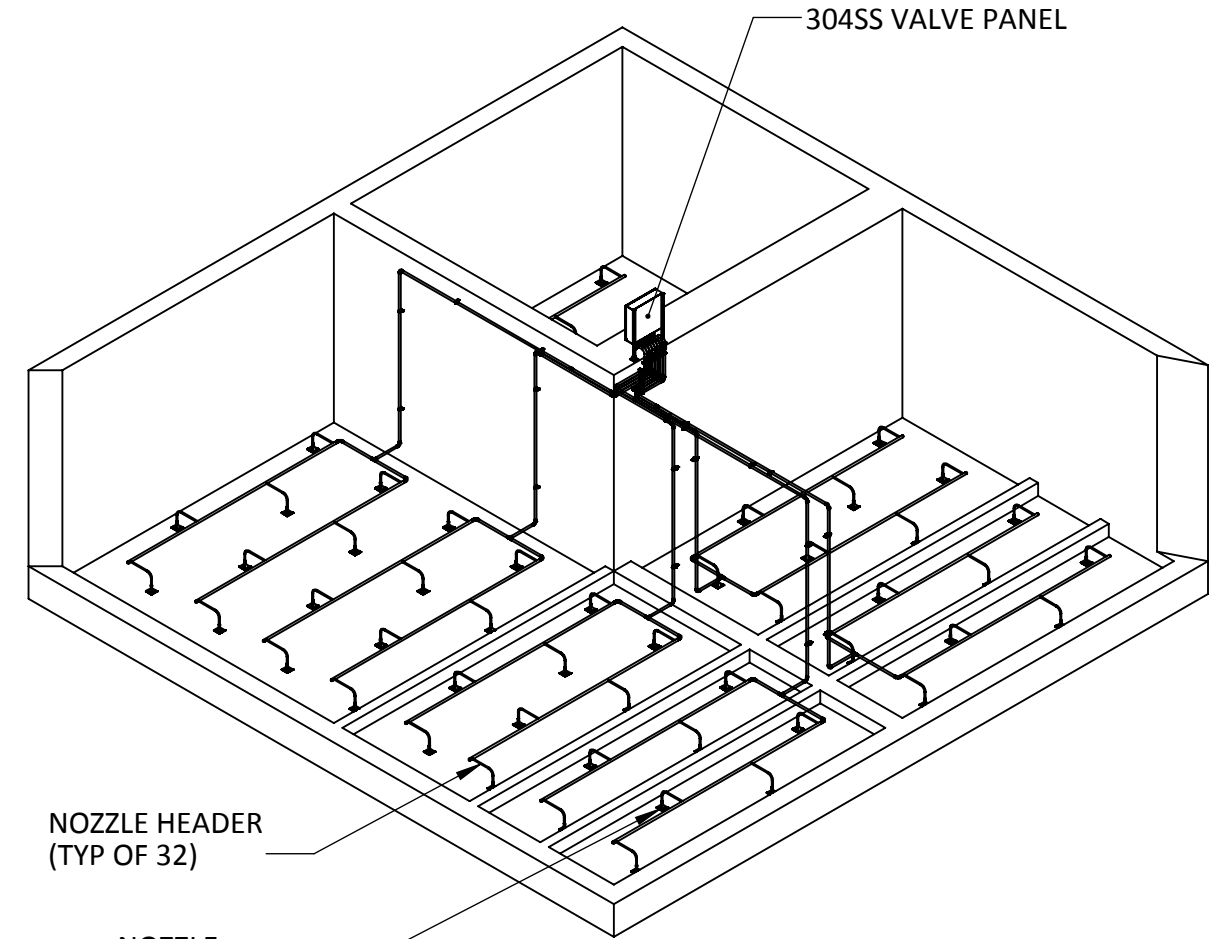


SACWSD WILLIAMS MONACO BNR UPGRADES

HENDERSON, CO



ISOMETRIC VIEW



NOZZLE HEADER
(TYP OF 32)

NOZZLE
(TYP OF 128)

ISOMETRIC SECTIONED VIEW

DRAWING	PAGE
TRAINS 1&2 ANAEROBIC/ANOXIC PLAN VIEW	P-2
TRAINS 3&4 ANAEROBIC/ANOXIC PLAN VIEW	P-3
TRAINS 1&2 SECTION A-A	P-4
TRAINS 1&2 SECTION B-B & C-C	P-5

	NAME	DATE
DRAWN	JAK	07/26/14
CHECKED	-	-

PROPRIETARY AND CONFIDENTIAL
THE INFORMATION CONTAINED IN THIS DRAWING IS THE SOLE PROPERTY OF ENVIROMIX. ANY REPRODUCTION IN PART OR AS A WHOLE WITHOUT THE WRITTEN PERMISSION OF ENVIROMIX IS PROHIBITED.

MATERIAL	304SS
FINISH	-
QUANTITY	-

COMMENTS:
REV. 1.1 INCLUDES NOTE FOR HORIZONTAL SUPPLY PIPING ELEVATION REQUIREMENT.



PROJECT:
HENDERSON, CO

SACWSD WILLIAMS MONACO BNR UPGRADES

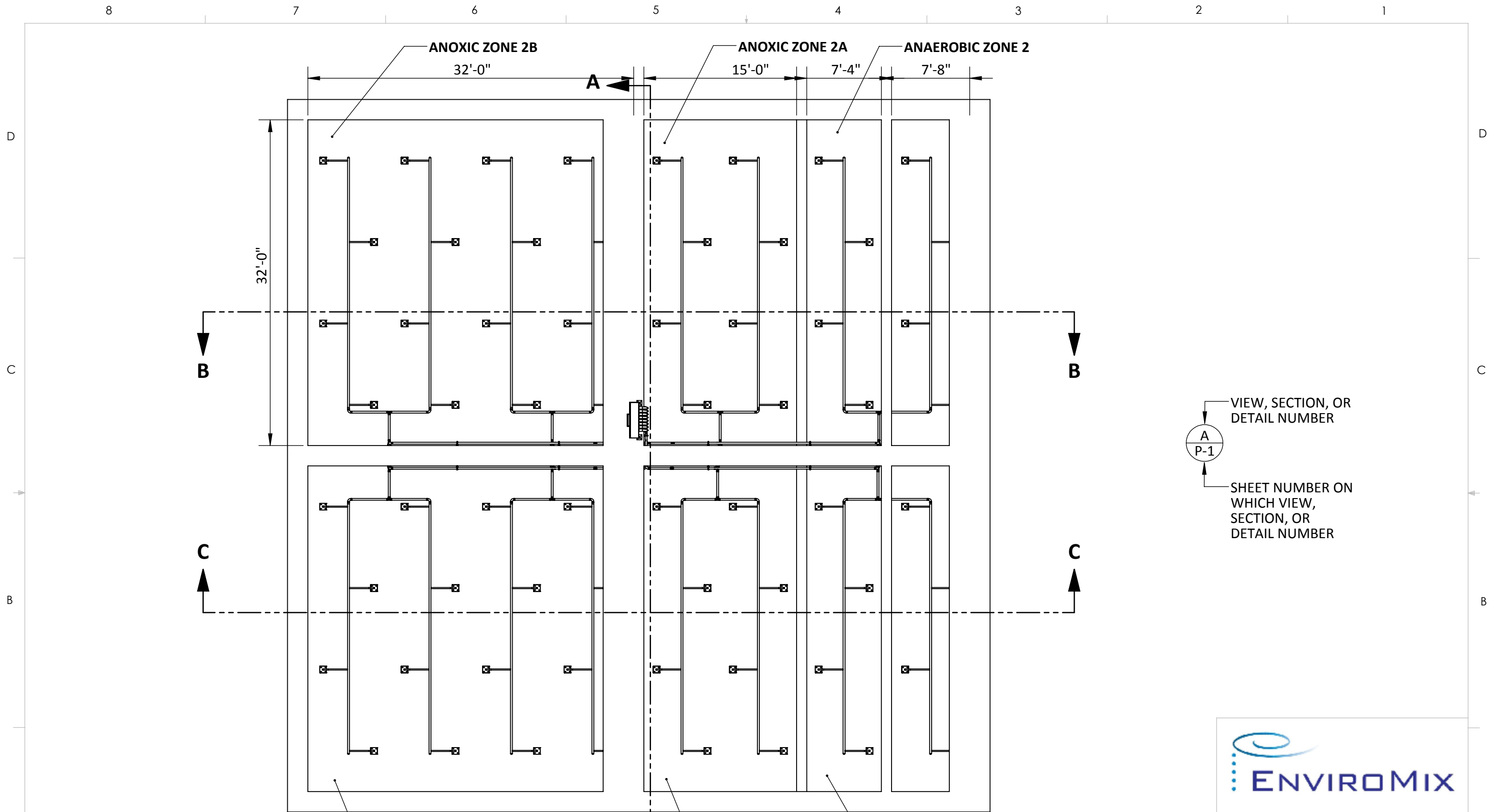
SIZE ITEM
B TRAINS 1-4 PIPING

REV
1.1

DO NOT SCALE DRAWING

SCALE: 1:192

P - 1



**PLAN VIEW
ZONES 1 & 2**

VIEW, SECTION, OR
DETAIL NUMBER
A
P-1
SHEET NUMBER ON
WHICH VIEW,
SECTION, OR
DETAIL NUMBER



PROJECT:
HENDERSON, CO

SACWSD WILLIAMS MONACO BNR
UPGRADES

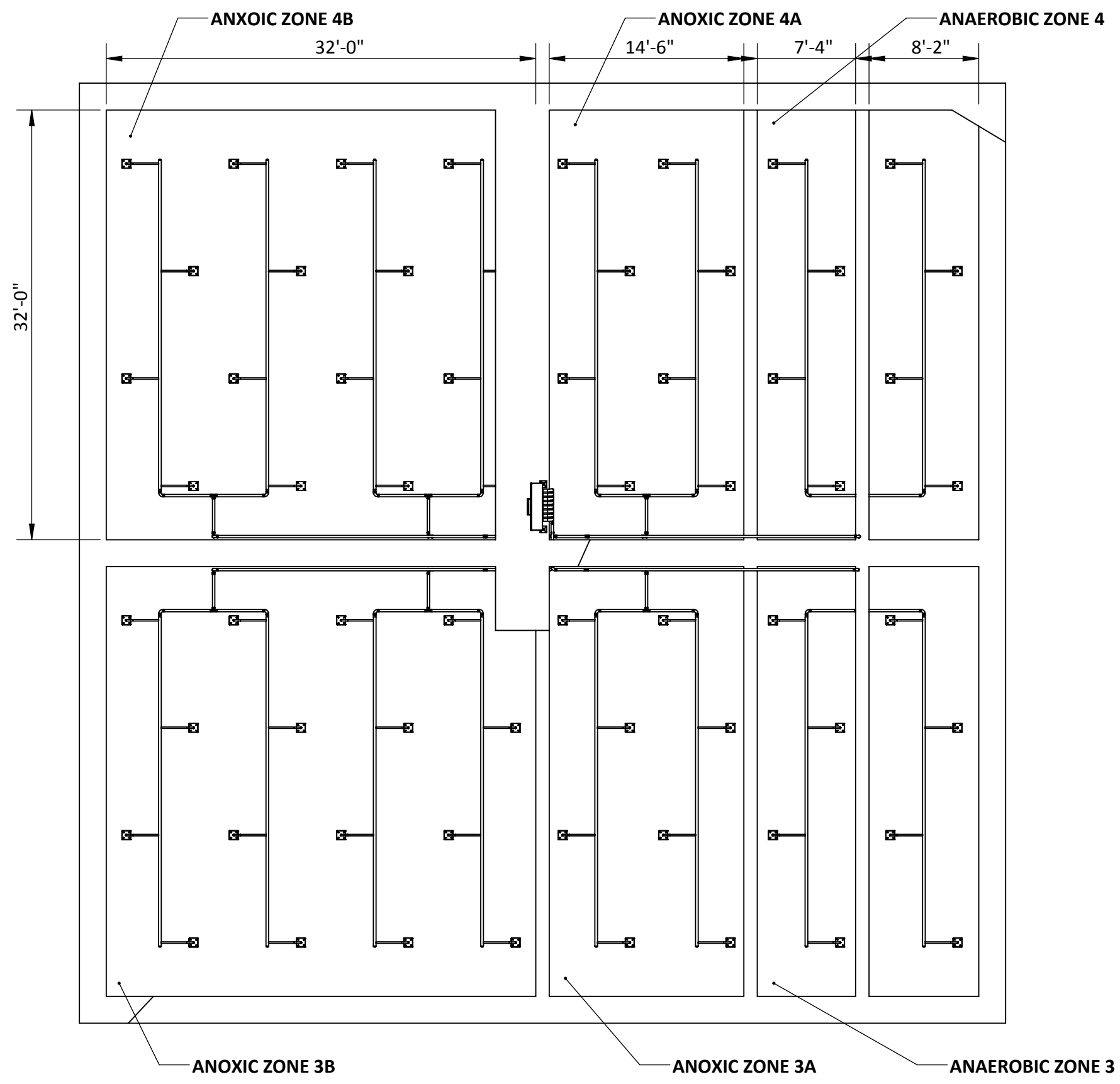
SIZE	ITEM	REV
B	TRAINS 1-4 PIPING	1.1

DO NOT SCALE DRAWING SCALE: 1:108 P - 2

	NAME	DATE	PROPRIETARY AND CONFIDENTIAL THE INFORMATION CONTAINED IN THIS DRAWING IS THE SOLE PROPERTY OF ENVIROMIX. ANY REPRODUCTION IN PART OR AS A WHOLE WITHOUT THE WRITTEN PERMISSION OF ENVIROMIX IS PROHIBITED.	MATERIAL	COMMENTS: REV. 1.1 INCLUDES NOTE FOR HORIZONTAL SUPPLY PIPING ELEVATION REQUIREMENT.
DRAWN	JAK	07/26/14		MATERIAL 304SS	
CHECKED	-	-		FINISH -	
			QUANTITY -		

8 7 6 5 4 3 2 1

D
C
B
A



NOTE:
SUPPLY PIPE RUNS AND LAYOUTS SIMILAR TO
ZONES 1&2.

**PLAN VIEW
ZONES 3 & 4**



PROJECT:
HENDERSON, CO

SACWSD WILLIAMS MONACO BNR
UPGRADES

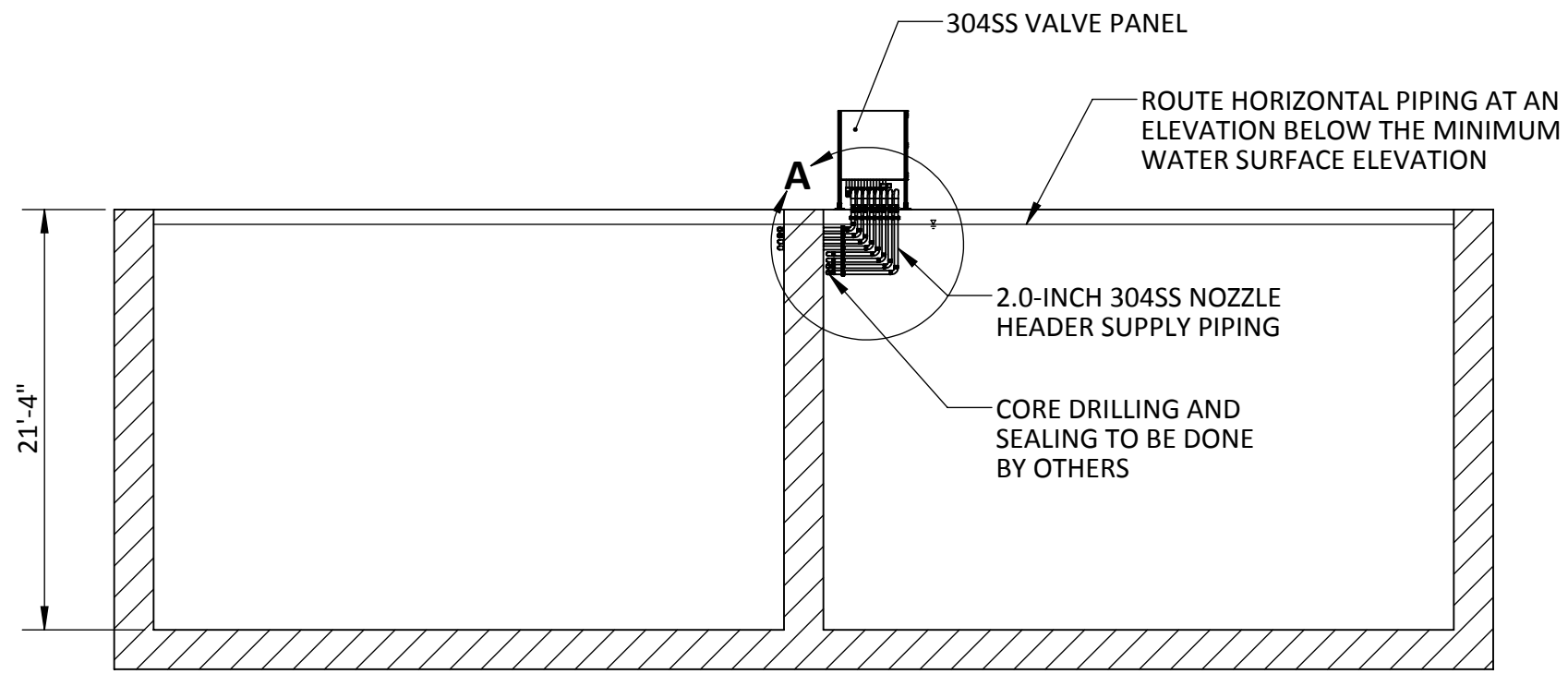
SIZE	ITEM	REV
B	TRAINS 1-4 PIPING	1.1

	NAME	DATE	PROPRIETARY AND CONFIDENTIAL THE INFORMATION CONTAINED IN THIS DRAWING IS THE SOLE PROPERTY OF ENVIROMIX. ANY REPRODUCTION IN PART OR AS A WHOLE WITHOUT THE WRITTEN PERMISSION OF ENVIROMIX IS PROHIBITED.	MATERIAL	COMMENTS: REV. 1.1 INCLUDES NOTE FOR HORIZONTAL SUPPLY PIPING ELEVATION REQUIREMENT.
DRAWN	JAK	07/26/14		304SS	
CHECKED	-	-		FINISH -	
				QUANTITY -	

8 7 6 5 4 3 2 1

D

D



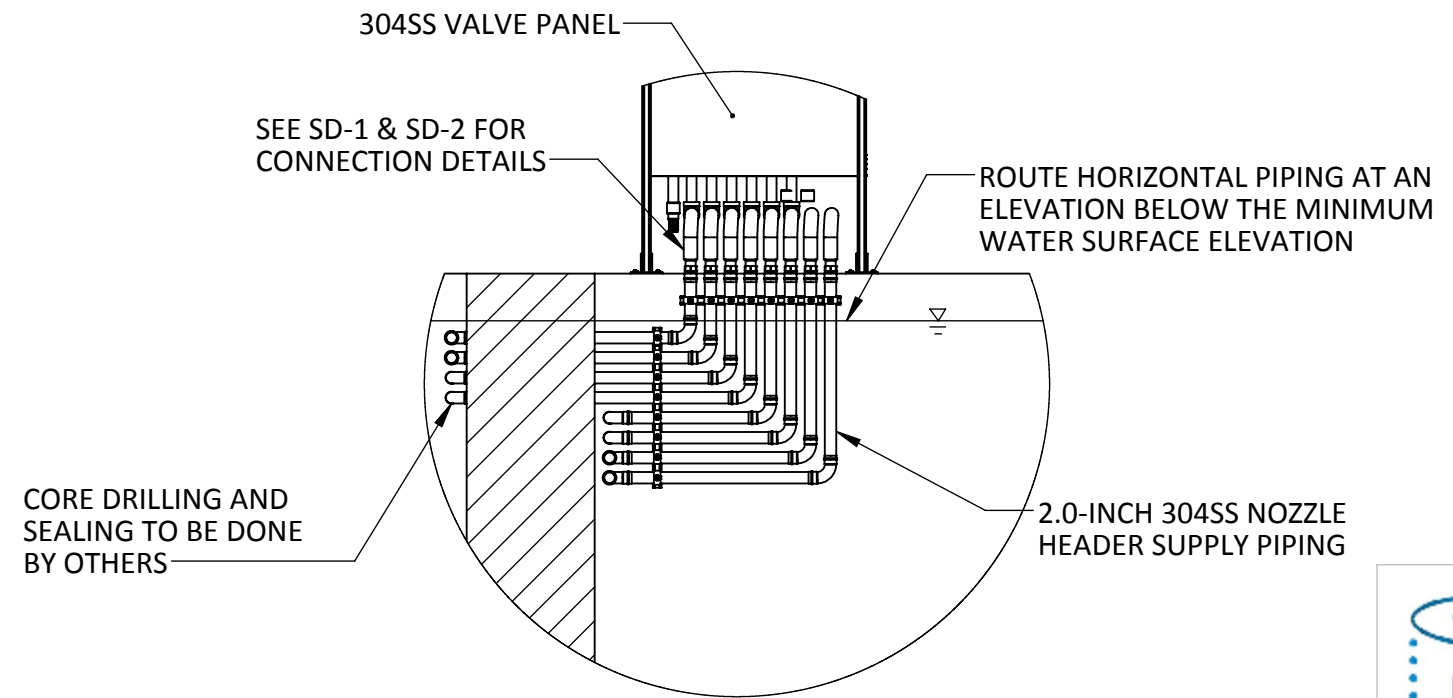
SECTION A-A

C

C

B

B



DETAIL A
SCALE 1 : 36

A

A

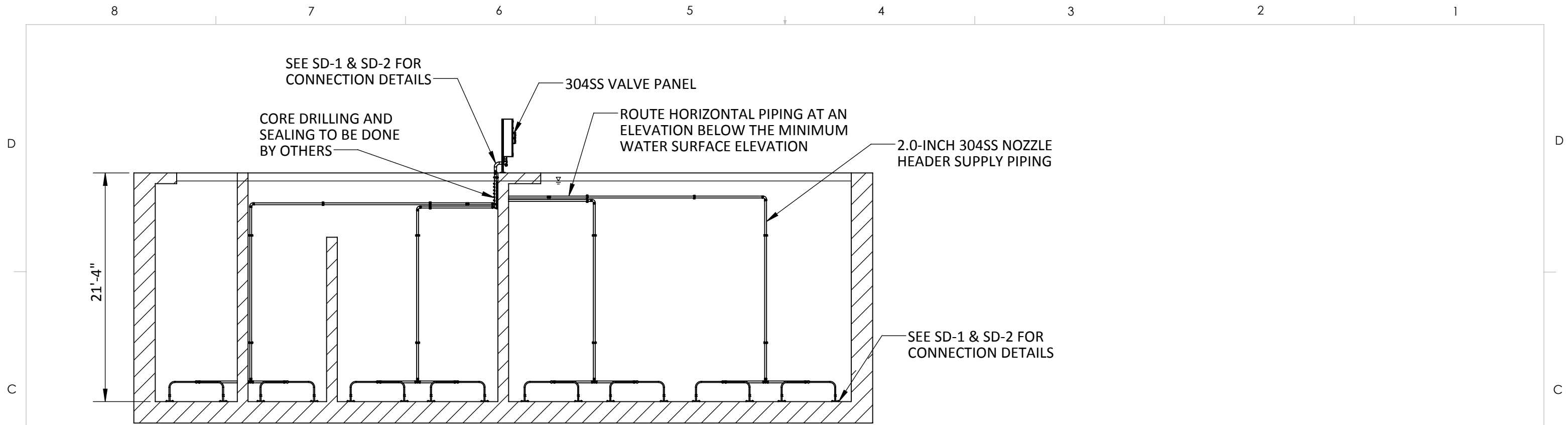


PROJECT:
HENDERSON, CO

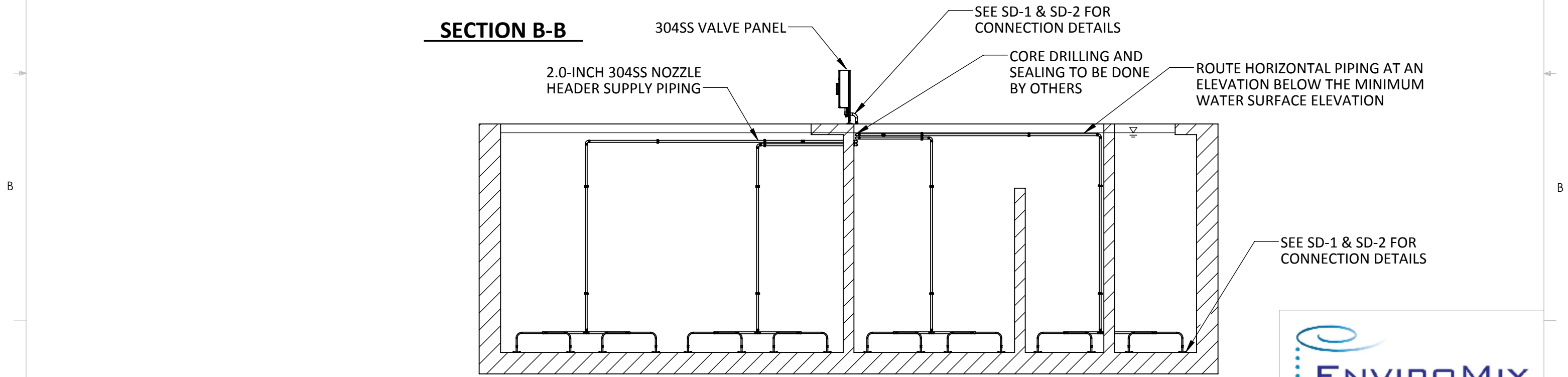
SACWSD WILLIAMS MONACO BNR
UPGRADES

SIZE	ITEM	REV
B	TRAINS 1-4 PIPING	1.1

	NAME	DATE	PROPRIETARY AND CONFIDENTIAL THE INFORMATION CONTAINED IN THIS DRAWING IS THE SOLE PROPERTY OF ENVIROMIX. ANY REPRODUCTION IN PART OR AS A WHOLE WITHOUT THE WRITTEN PERMISSION OF ENVIROMIX IS PROHIBITED.	MATERIAL 304SS	COMMENTS: REV. 1.1 INCLUDES NOTE FOR HORIZONTAL SUPPLY PIPING ELEVATION REQUIREMENT.
DRAWN	JAK	07/26/14		FINISH -	
CHECKED	-	-		QUANTITY -	



SECTION B-B



SECTION C-C



PROJECT:
HENDERSON, CO

SACWSD WILLIAMS MONACO BNR
UPGRADES

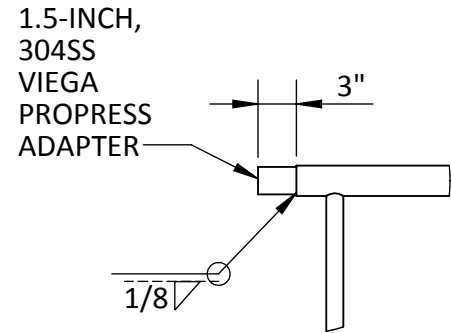
SIZE	ITEM	REV
B	TRAINS 1-4 PIPING	1.1

DO NOT SCALE DRAWING SCALE: 1:108 P - 5

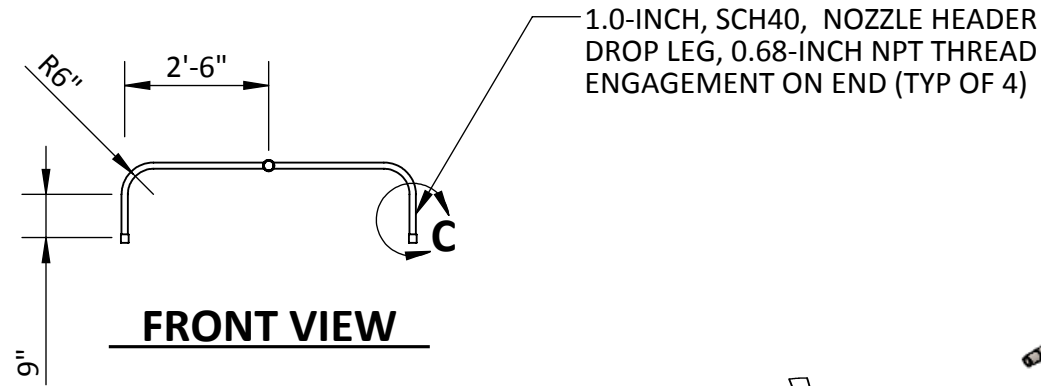
	NAME	DATE	PROPRIETARY AND CONFIDENTIAL THE INFORMATION CONTAINED IN THIS DRAWING IS THE SOLE PROPERTY OF ENVIROMIX. ANY REPRODUCTION IN PART OR AS A WHOLE WITHOUT THE WRITTEN PERMISSION OF ENVIROMIX IS PROHIBITED.	MATERIAL	COMMENTS: REV. 1.1 INCLUDES NOTE FOR HORIZONTAL SUPPLY PIPING ELEVATION REQUIREMENT.
DRAWN	JAK	07/26/14		304SS	
CHECKED	-	-		FINISH	
				QUANTITY	

**SACWSD WILLIAMS MONACO BNR UPGRADES
HENDERSON, CO**

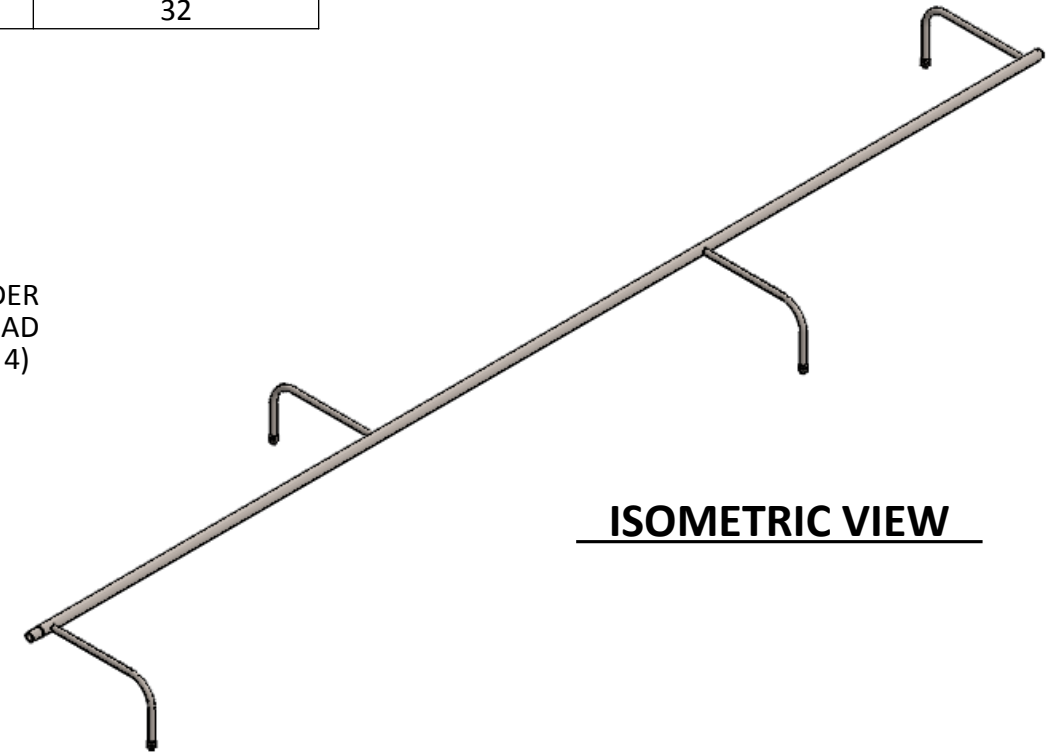
HEADER	PAGE	QUANTITY
HEADER 1	NH-1	32



**DETAIL A
SCALE 1 : 15**

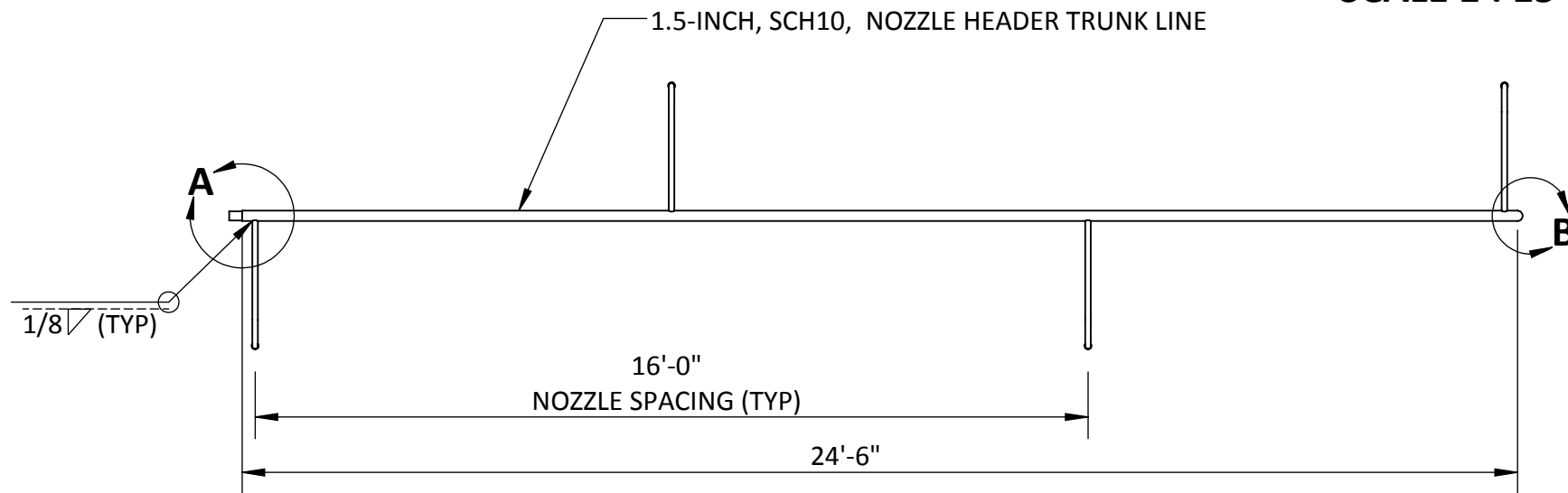


FRONT VIEW

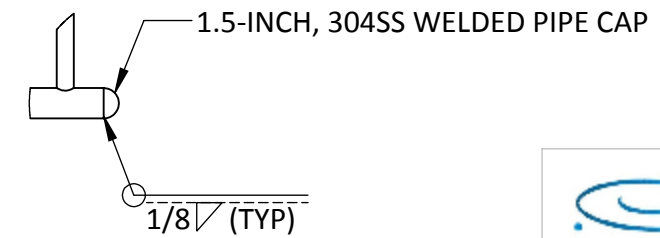


1-INCH, 150LB 304SS NPT
(TYP FOR ALL DROP LEGS)

**DETAIL C
SCALE 1 : 15**



TOP VIEW



**DETAIL B
SCALE 1 : 15**

NOTE:
HEADER TO BE SHIPPED TO PROJECT SITE WITH COUPLINGS INSTALLED WITH THREAD SEALANT AND TACK WELDED

	NAME	DATE	PROPRIETARY AND CONFIDENTIAL THE INFORMATION CONTAINED IN THIS DRAWING IS THE SOLE PROPERTY OF ENVIROMIX. ANY REPRODUCTION IN PART OR AS A WHOLE WITHOUT THE WRITTEN PERMISSION OF ENVIROMIX IS PROHIBITED.	MATERIAL 304 SS	COMMENTS:
DRAWN	JAK	07/26/14		FINISH -	
CHECKED	-	-		QUANTITY -	



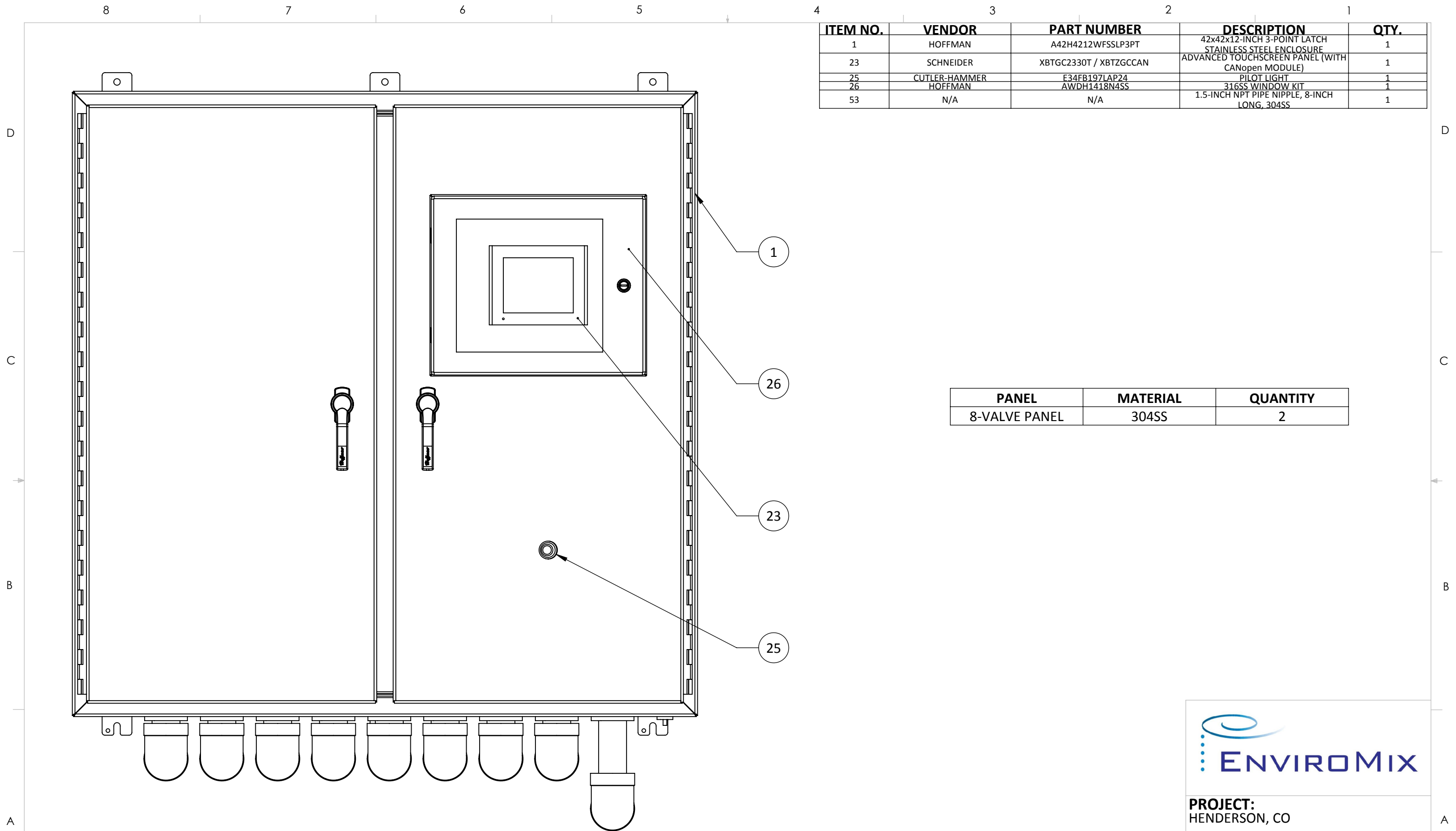
PROJECT:
HENDERSON, CO

SACWSD WILLIAMS MONACO BNR UPGRADES

SIZE ITEM
B NOZZLE HEADER

REV
2.0


DO NOT SCALE DRAWING SCALE: 1:40 NH - 1



ITEM NO.	VENDOR	PART NUMBER	DESCRIPTION	QTY.
1	HOFFMAN	A42H4212WFSSLP3PT	42x42x12-INCH 3-POINT LATCH STAINLESS STEEL ENCLOSURE	1
23	SCHNEIDER	XBTGC2330T / XBTZGCCAN	ADVANCED TOUCHSCREEN PANEL (WITH CANopen MODULE)	1
25	CUTLER-HAMMER	F34FB197LAP24	PILOT LIGHT	1
26	HOFFMAN	AWDH1418N4SS	316SS WINDOW KIT	1
53	N/A	N/A	1.5-INCH NPT PIPE NIPPLE, 8-INCH LONG, 304SS	1

PANEL	MATERIAL	QUANTITY
8-VALVE PANEL	304SS	2

	NAME	DATE	PROPRIETARY AND CONFIDENTIAL THE INFORMATION CONTAINED IN THIS DRAWING IS THE SOLE PROPERTY OF ENVIROMIX. ANY REPRODUCTION IN PART OR AS A WHOLE WITHOUT THE WRITTEN PERMISSION OF ENVIROMIX IS PROHIBITED.	MATERIAL -	COMMENTS: NONE
DRAWN	JAK	01/20/15		FINISH N/A	
CHECKED	-	-		QUANTITY 2	

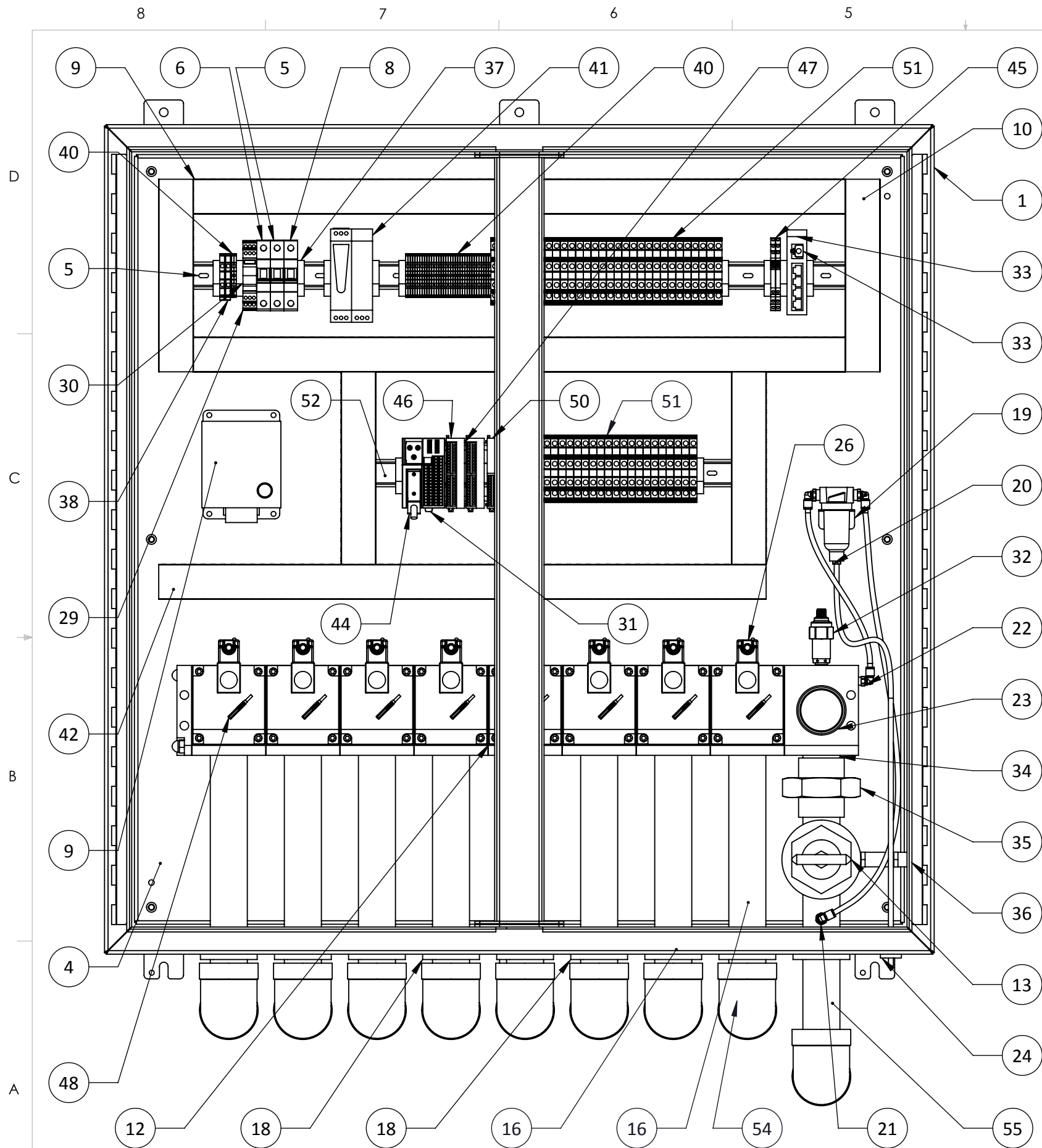

ENVIROMIX

PROJECT:
HENDERSON, CO

SACWSD WILLIAMS MONACO BNR
UPGRADES

SIZE ITEM B 8-VALVE CONTROL PANEL	REV 1.6
---	--------------------------

DO NOT SCALE DRAWING SCALE: 1:6 C-1



ITEM NO.	VENDOR	PART NUMBER	DESCRIPTION	QTY.
1	HOFFMAN	A42H4212WFSSLP3PT	42x42x12-INCH 3-POINT LATCH STAINLESS STEEL ENCLOSURE	1
4	HOFFMAN	A42P42G	42X42X12 BACK PANEL	1
5	WEIDMULLER	051450000	35MM DIN RAIL-33-INCH	1
6	SQUARE D	MG24119	20 AMP CIRCUIT BREAKER	1
5	SQUARE D	MG24112	3 AMP CIRCUIT BREAKER	1
8	SQUARE D	MG24118	16 AMP CIRCUIT BREAKER	1
9	PANDUIT	F1.5X2LG6 / C1.5LG6	WIRE WAY WITH COVER-33-INCH	2
10	PANDUIT	F1.5X2LG6 / C1.5LG6	WIRE WAY WITH COVER-9.75-INCH	4
9	HOFFMAN	DAH2001A	200 WATT HEATER	1
12	ROSS	CP18NA87518W	8 STATION VALVE MANIFOLD ASSEMBLY	1
13	MONNIER	116-4006-12PS	PRESSURE REGULATOR	1
16	N/A	N/A	1.5-INCH NPT PIPE NIPPLE, 12-INCH LONG, 304SS	8
18	MCMMASTER-CARR	63595K38	1.5-INCH SNAP IN SEALING GROMMET	9
19	PARKER	PS417BP	PILOT AIR FILTER MOUNTING BRACKET KIT	1
20	PARKER	14F15B	PILOT AIR FILTER	1
21	LEGRIS	3109 56 14	MALE STUD ELBOW, 0.25-INCH NPT X 0.25-INCH TUBE	3
22	LEGRIS	3109 56 11	MALE STUD ELBOW, 0.125-INCH NPT X 0.25-INCH TUBE	1
23	MCMMASTER-CARR	3846K313	CENTER-BACK CONNECTION, 2.5-INCH DIAMETER PRESSURE GAUGE, 0.25-INCH NPT CONNECTION, 0-100 PSI	1
24	MCMMASTER-CARR	63595K32	0.25-INCH SNAP IN SEALING GROMMET	1
25	SCHNEIDER	XBTGC2330T / XBTZGCCAN	ADVANCED TOUCHSCREEN PANEL (WITH CANopen MODULE)	1
26	MURR ELEKTRONIK	7000-18021-60160150	MSUD VALVE FORM A 18mm WITH CABLE PVC-JZ 3x0.75 BLACK 1.5m	8
27	CUTLER-HAMMER	E34FB197LAP24	PILOT LIGHT	1
28	HOFFMAN	AWDH1418N4SS	316SS WINDOW KIT	1
29	PHOENIX CONTACT	2839282	SURGE SUPPRESSOR BASE	1
30	PHOENIX CONTACT	2839334	SURGE SUPPRESSOR ELEMENT	1
31	SCHNEIDER ELECTRIC	OTB1CODM9LP	CAN-OPEN I/O MODULE	1
32	SCHNEIDER / TELEMECANIQUE	XMLK100P2D23 / XZCP1141L2	PRESSURE TRANSDUCER (WITH QUICK CONNECT CABLE)	1
33	STRIDE	SE-SW5U	5 PORT ETHERNET SWITCH	1
34	N/A	N/A	1.5-INCH NPT PIPE NIPPLE, 1.5 INCH LONG, 304SS	2
35	N/A	N/A	1-1/2" FNPT UNION-304SS	1
36	MIDWEST CONTROLS	SF50	SAFETY RELIEF VALVE - 120PSI	1
37	WEIDMULLER	0383560000	END ANCHOR	13
38	WEIDMULLER	1020100000	TERMINAL BLOCK	2
39	WEIDMULLER	1050000000	END COVER	2
40	WEIDMULLER	1010100000	GROUND TERMINAL	19
41	SCHNEIDER ELECTRIC	ABL8REM24050	24VDC POWER SUPPLY	1
42	PANDUIT	F1.5X2LG6 / C1.5LG6	WIRE WAY WITH COVER-30.75-INCH	1
43	PANDUIT	STPCH2MBBL	ETHERNET CABLE	1
44	GRID CONNECT	GC-CAN-CAB-2MT-GC	CANOpen Cable	1
45	SCHNEIDER ELECTRIC	RSL1PVBU	ZELIO RELAY	2
46	SCHNEIDER ELECTRIC	TM2AMM6HT	ANALOG INPUT/OUTPUT EXPANSION CARD	1
47	SCHNEIDER ELECTRIC	TM2DRA16RT	EXPANSION, 16 OUT RELAY, RM TBK	1
48	TURCK	BIM-UNT-AP6X	VALVE PROXIMITY SENSOR	8
50	SCHNEIDER ELECTRIC	TM2AMI2HT	EXPANSION, ANALOG 2 IN, 0-10 V, 4-20 mA	1
51	WEIDMULLER	1186740000	W-SERIES, FEED-THROUGH TERMINAL, DOUBLE-TEIR TERMINAL	54
52	WEIDMULLER	051450000	35MM DIN RAIL-18-INCH	1
53	N/A	N/A	1-1/2" FNPT 90 ELBOW-304SS	9
54	DIXON VALVE & COUPLING CO.	DRST20	1.5-INCH MNTP X 1.5-INCH HOSE COMBINATION KING NIPPLE	9
55	N/A	N/A	1.5-INCH NPT PIPE NIPPLE, 8-INCH LONG, 304SS	1

	NAME	DATE
DRAWN	JAK	01/20/15
CHECKED	-	-

PROPRIETARY AND CONFIDENTIAL
 THE INFORMATION CONTAINED IN THIS DRAWING IS THE SOLE PROPERTY OF ENVIROMIX. ANY REPRODUCTION IN PART OR AS A WHOLE WITHOUT THE WRITTEN PERMISSION OF ENVIROMIX IS PROHIBITED.

MATERIAL	COMMENTS:
-	NONE
FINISH	
N/A	
QUANTITY	
2	



PROJECT:
 HENDERSON, CO

SACWSD WILLIAMS MONACO BNR UPGRADES

SIZE ITEM
B 8-VALVE CONTROL PANEL

REV
1.6

DO NOT SCALE DRAWING SCALE: 1:6 C-2

D

D

C

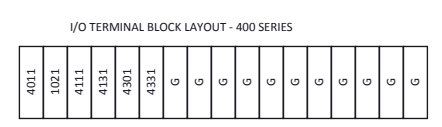
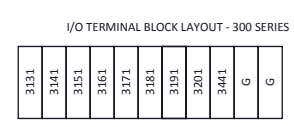
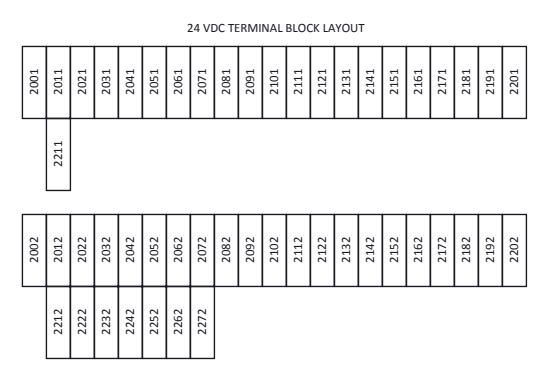
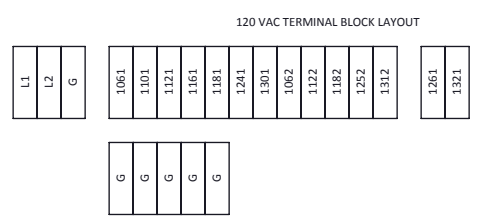
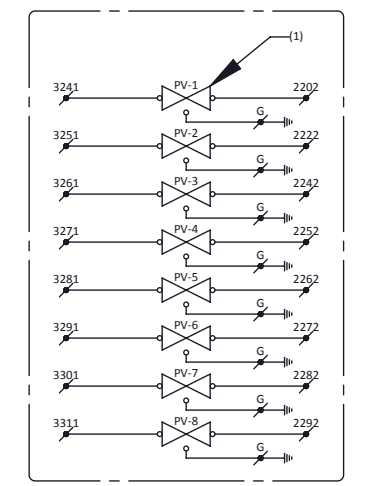
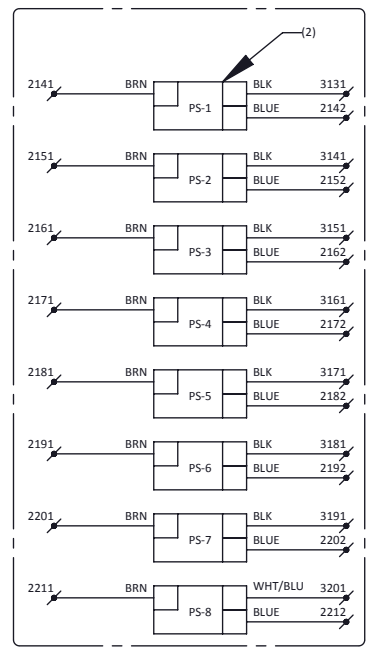
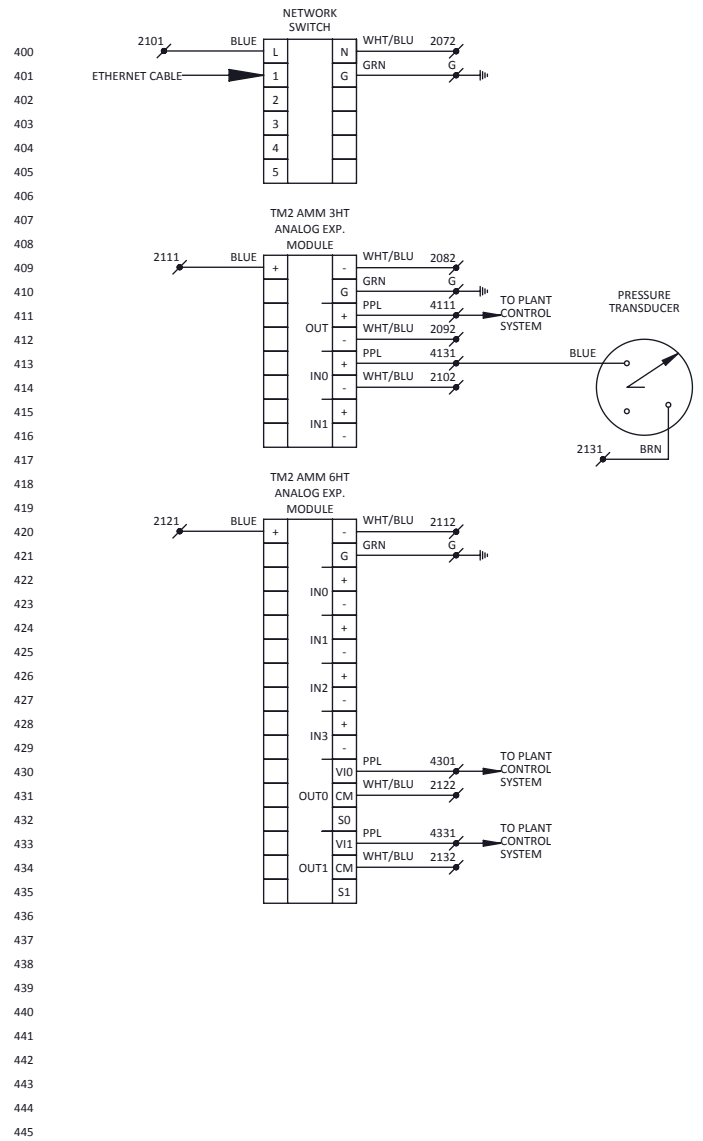
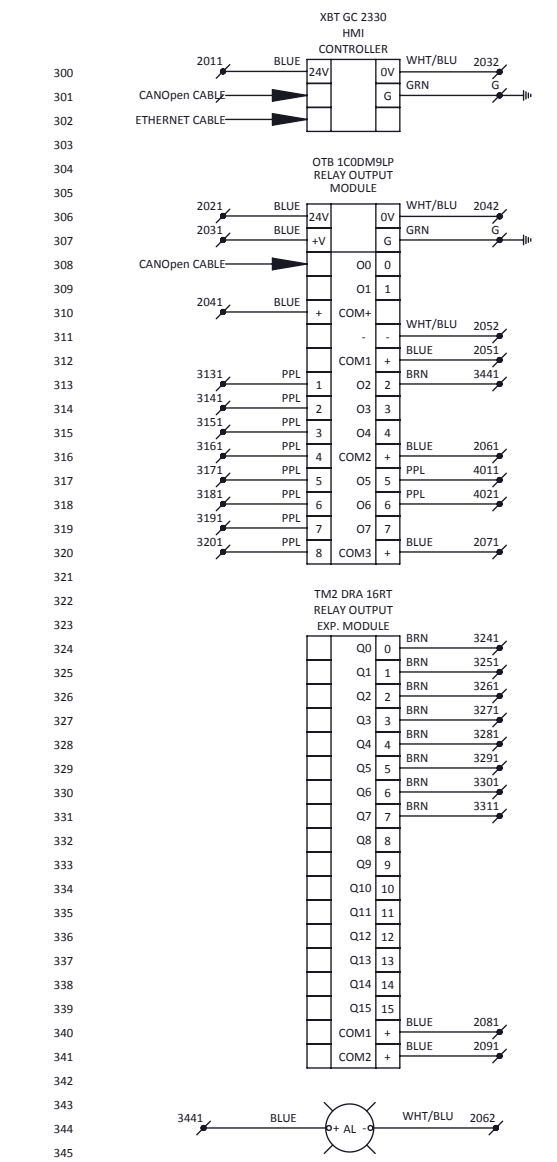
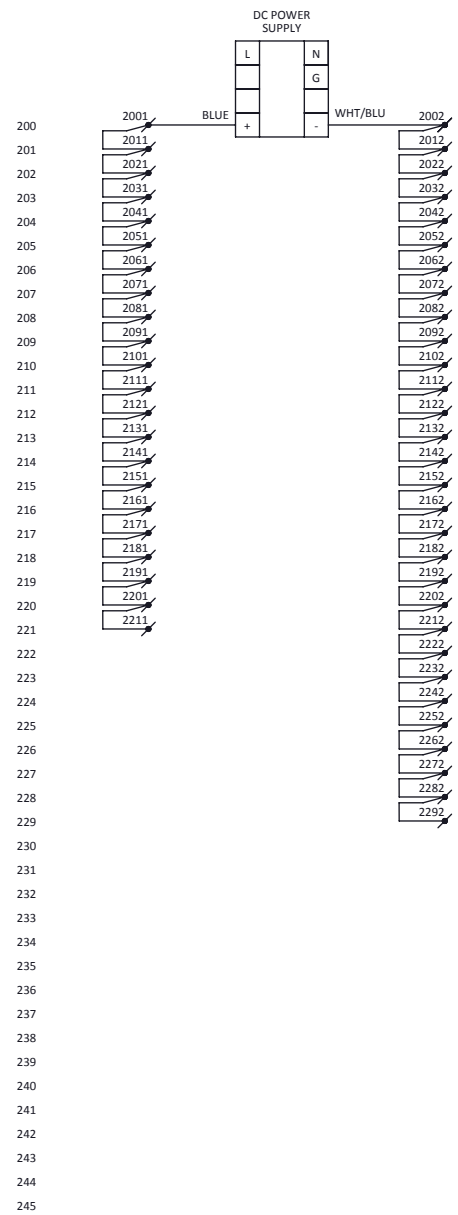
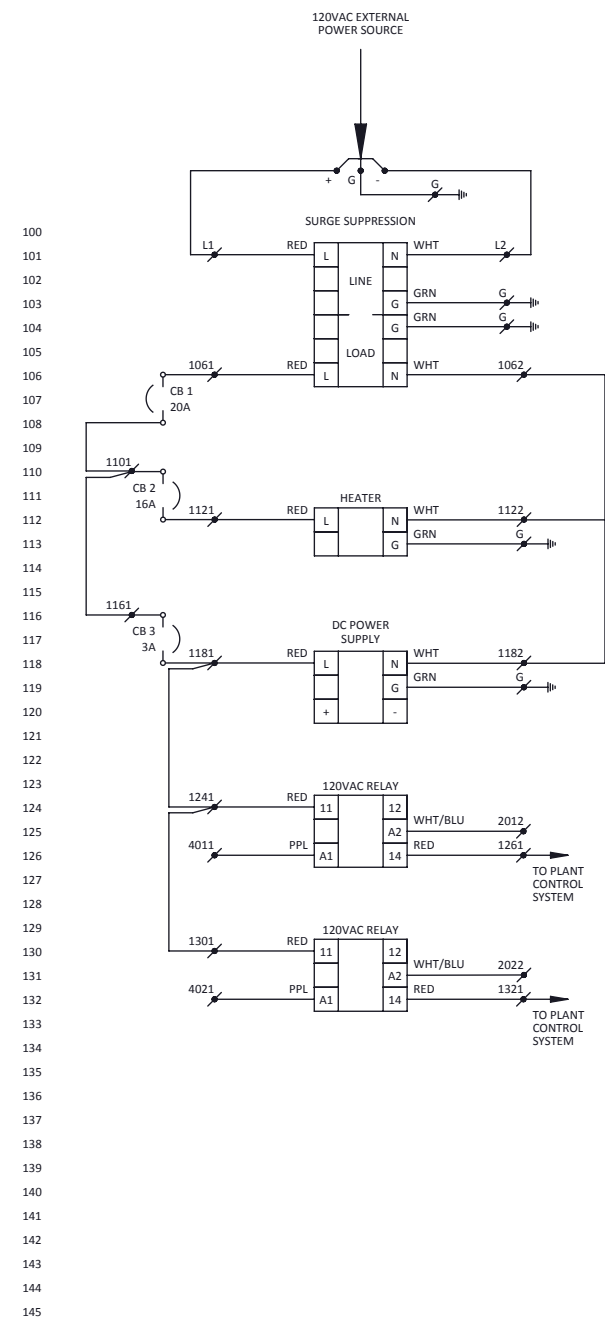
C

B

B

A

A



NOTES:
 (1) MURR VALVE PLUG FROM VALVE HEAD TO TERMINAL STRIP (TYP OF ALL VALVES)
 (2) PS-X ARE POSITION SENSORS FOR VALVE MONITORING WITH PIG-TAIL WIRE CONNECTIONS (BIM-UNT-AP6X)

ABBREVIATIONS
 CB-CIRCUIT BREAKER
 PV-POPPET VALVE
 AL-ALARM LIGHT
 L-LOAD
 N-NEUTRAL
 G-GROUND

	NAME	DATE	PROPRIETARY AND CONFIDENTIAL THE INFORMATION CONTAINED IN THIS DRAWING IS THE SOLE PROPERTY OF ENVIROMIX. ANY REPRODUCTION IN PART OR AS A WHOLE WITHOUT THE WRITTEN PERMISSION OF ENVIROMIX IS PROHIBITED.	MATERIAL -	COMMENTS: NONE
DRAWN	JAK	01/20/15		FINISH N/A	
CHECKED	-	-		QUANTITY 2	



PROJECT:
 HENDERSON, CO

SACWSD WILLIAMS MONACO BNR UPGRADES

SIZE ITEM
B 8-VALVE CONTROL PANEL

REV
1.6

DO NOT SCALE DRAWING SCALE: 1:6 C-3

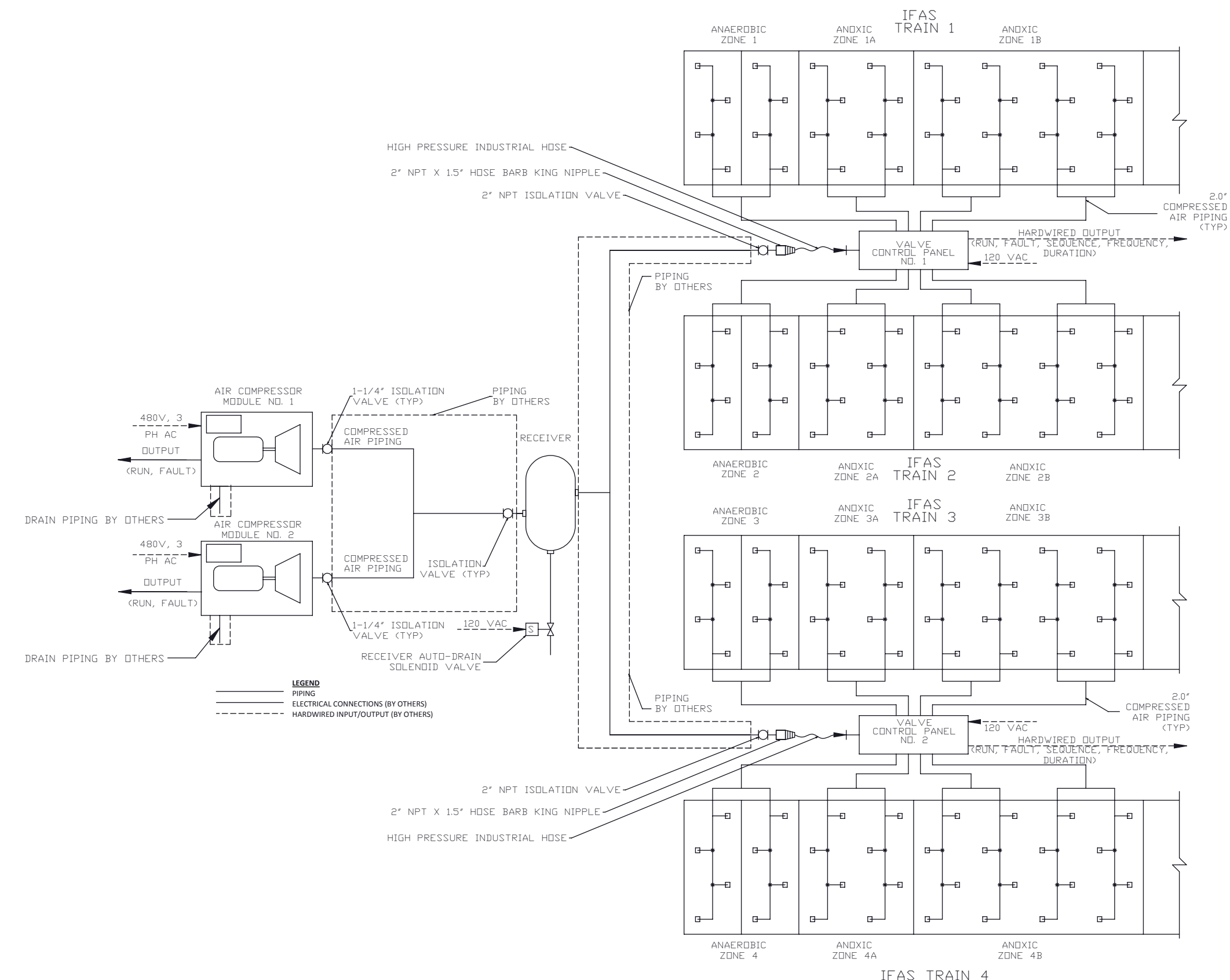
8 7 6 5 4 3 2 1

D

C

B

A



PROJECT:
HENDERSON, CO

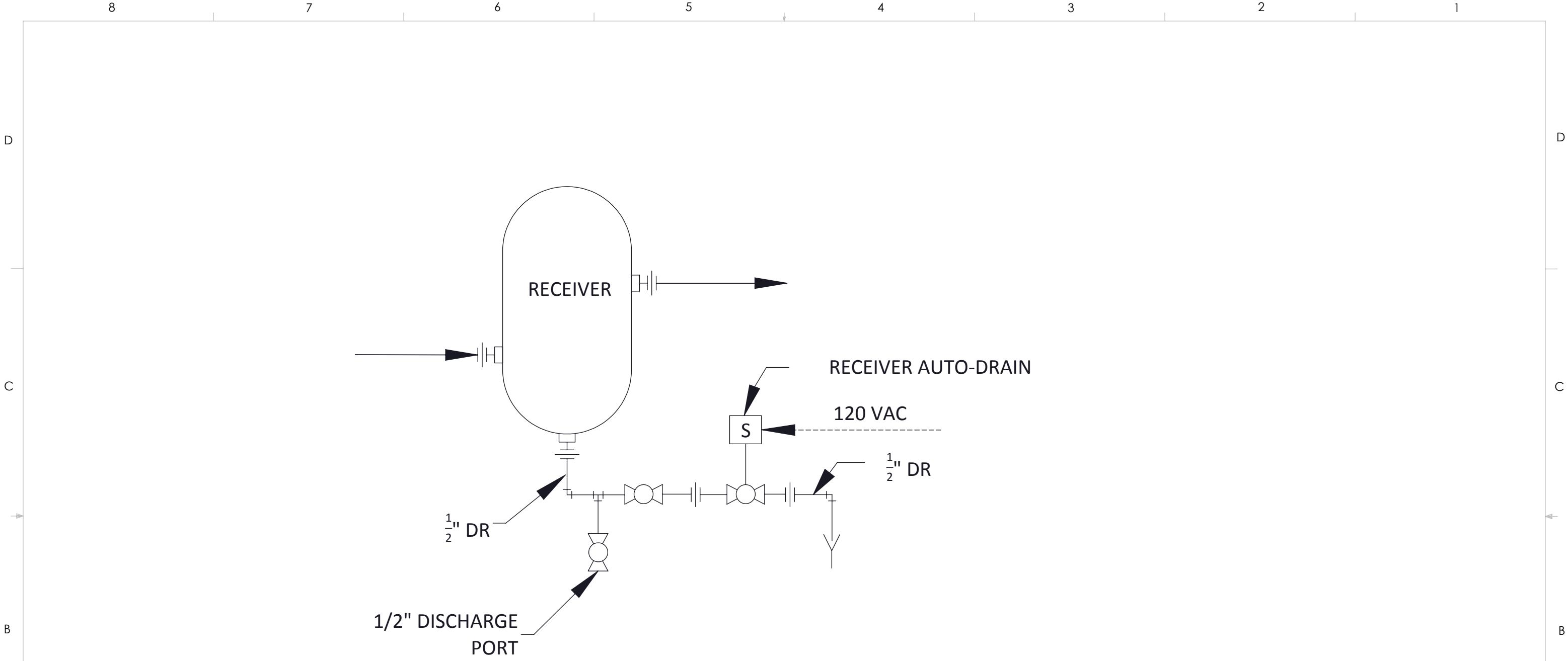
SACWSD WILLIAMS MONACO BNR
UPGRADES

SIZE B	ITEM P&ID	REV 1.0
------------------	---------------------	-------------------

	NAME	DATE	PROPRIETARY AND CONFIDENTIAL THE INFORMATION CONTAINED IN THIS DRAWING IS THE SOLE PROPERTY OF ENVIROMIX. ANY REPRODUCTION IN PART OR AS A WHOLE WITHOUT THE WRITTEN PERMISSION OF ENVIROMIX IS PROHIBITED.	MATERIAL	COMMENTS:
DRAWN	WWK	11/4/14		FINISH	NONE
CHECKED	-	-		QUANTITY	

DO NOT SCALE DRAWING SCALE: 1:1 P-1

8 7 6 5 4 3 2 1



NOTE:
 AUTO-DRAIN BY MANUFACTURER
 ALL OTHER COMPONENTS BY OTHERS
 TYP. INDOOR INSTALLATION CONFIGURATION
 ALL PIPING UPSTREAM OF AUTODRAIN IS STAINLESS STEEL

LEGEND

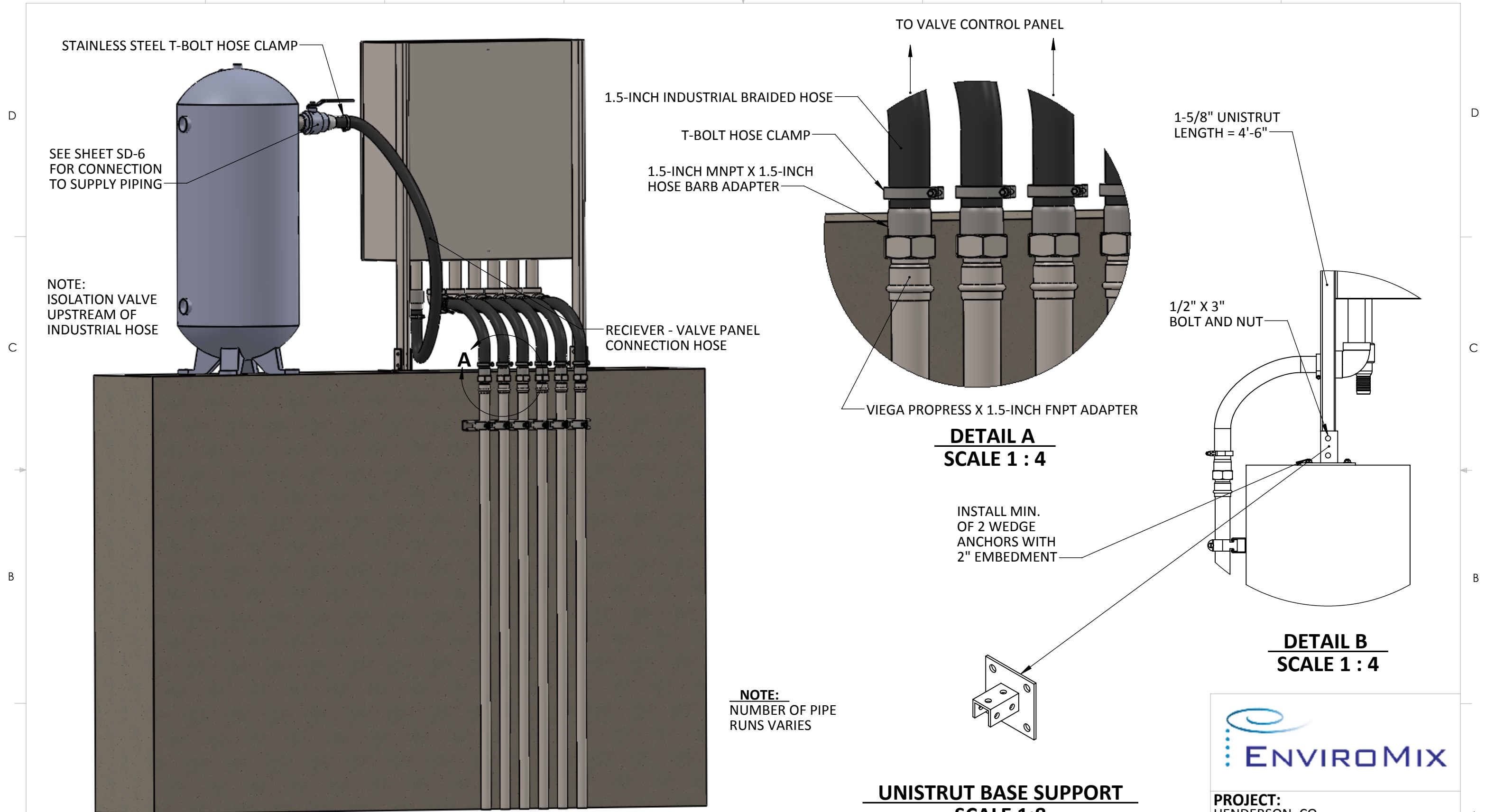
-  BALL VALVE
-  UNION
-  DRAIN



PROJECT:
 HENDERSON, CO
 SACWSD WILLIAMS MONACO BNR
 UPGRADES

	NAME	DATE	PROPRIETARY AND CONFIDENTIAL THE INFORMATION CONTAINED IN THIS DRAWING IS THE SOLE PROPERTY OF ENVIROMIX. ANY REPRODUCTION IN PART OR AS A WHOLE WITHOUT THE WRITTEN PERMISSION OF ENVIROMIX IS PROHIBITED.	MATERIAL	COMMENTS: NONE
DRAWN	WLE	2/3/15		FINISH	
CHECKED	-	-		QUANTITY	

SIZE	ITEM	REV
B	RECEIVER DRAIN CONFIGURATION	1.0
DO NOT SCALE DRAWING	SCALE: 1:1	P - 1



ISOMETRIC RENDERING - REAR VIEW

	NAME	DATE	PROPRIETARY AND CONFIDENTIAL THE INFORMATION CONTAINED IN THIS DRAWING IS THE SOLE PROPERTY OF ENVIROMIX. ANY REPRODUCTION IN PART OR AS A WHOLE WITHOUT THE WRITTEN PERMISSION OF ENVIROMIX IS PROHIBITED.	MATERIAL STAINLESS STEEL	COMMENTS: NONE
DRAWN	WLE	10/10/14		FINISH N/A	
CHECKED	-	-		QUANTITY	

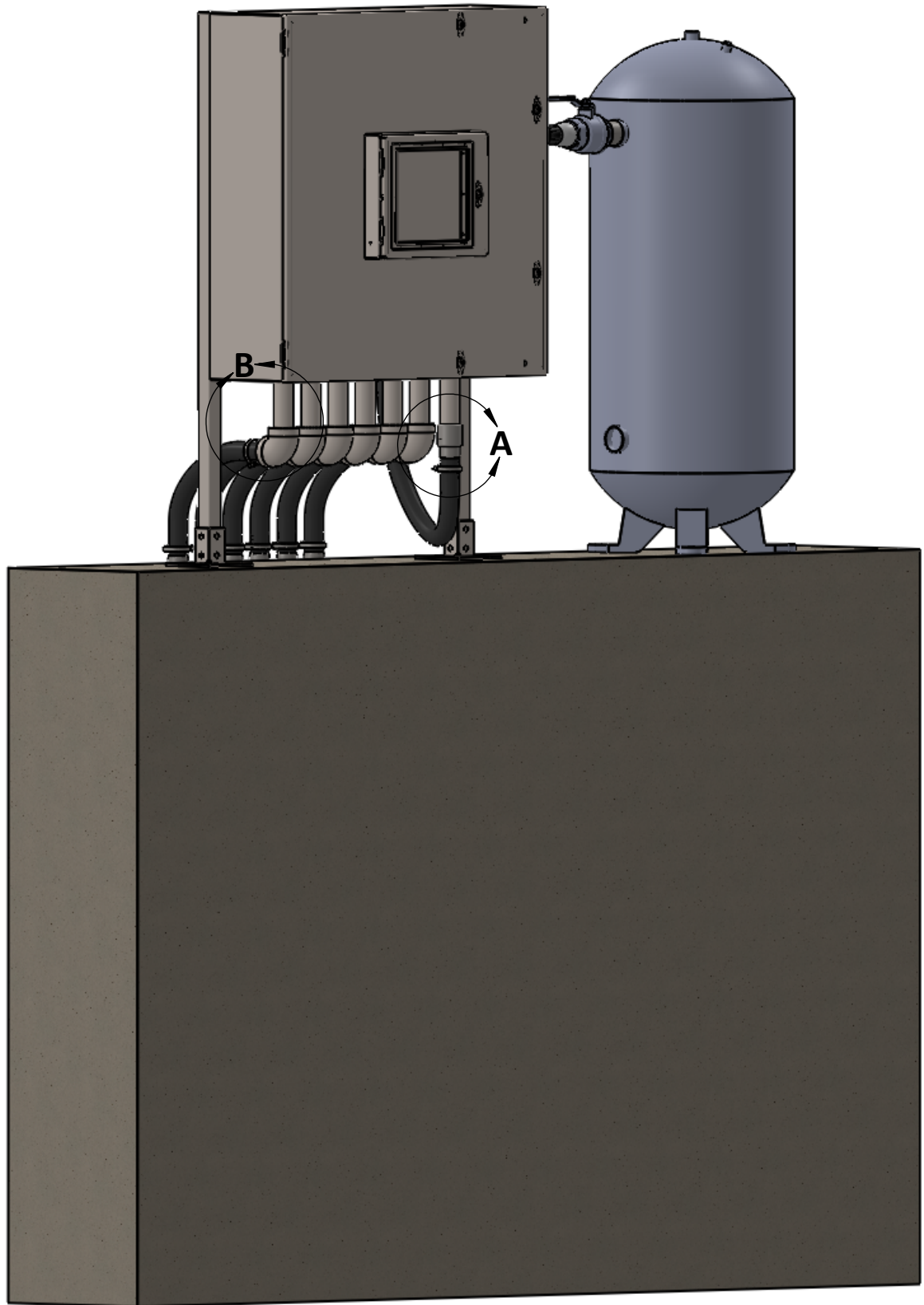
ENVIROMIX

PROJECT:
HENDERSON, CO

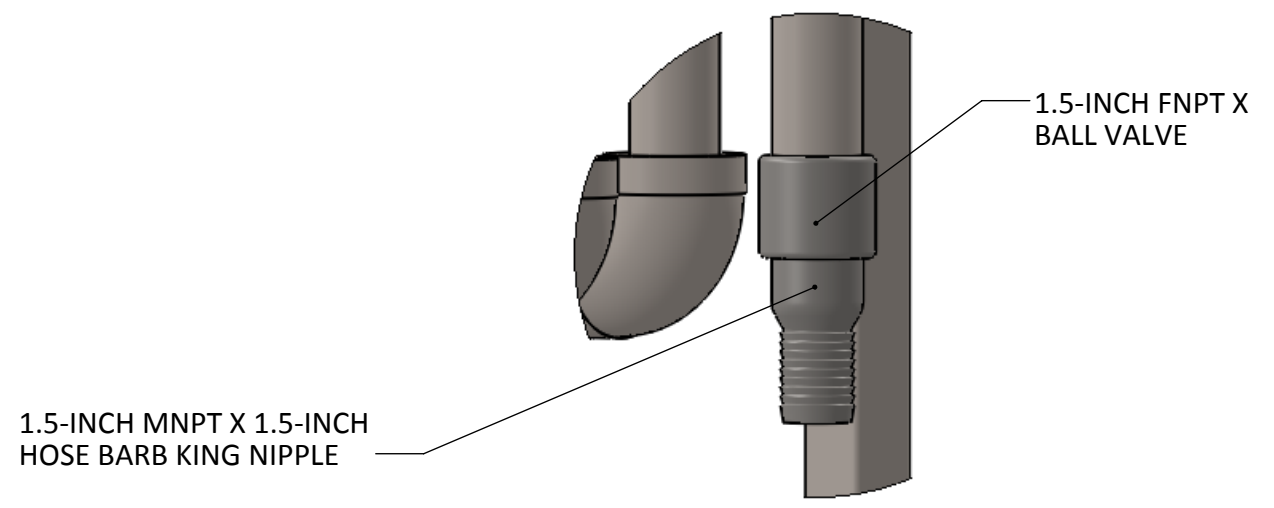
SACWSD WILLIAMS MONACO BNR UPGRADES

SIZE B	ITEM VALVE CONTROL PANEL CONNECTION DETAILS	REV 1.0
-------------------------	---	--------------------------

DO NOT SCALE DRAWING SCALE: 1:15 SD - 1



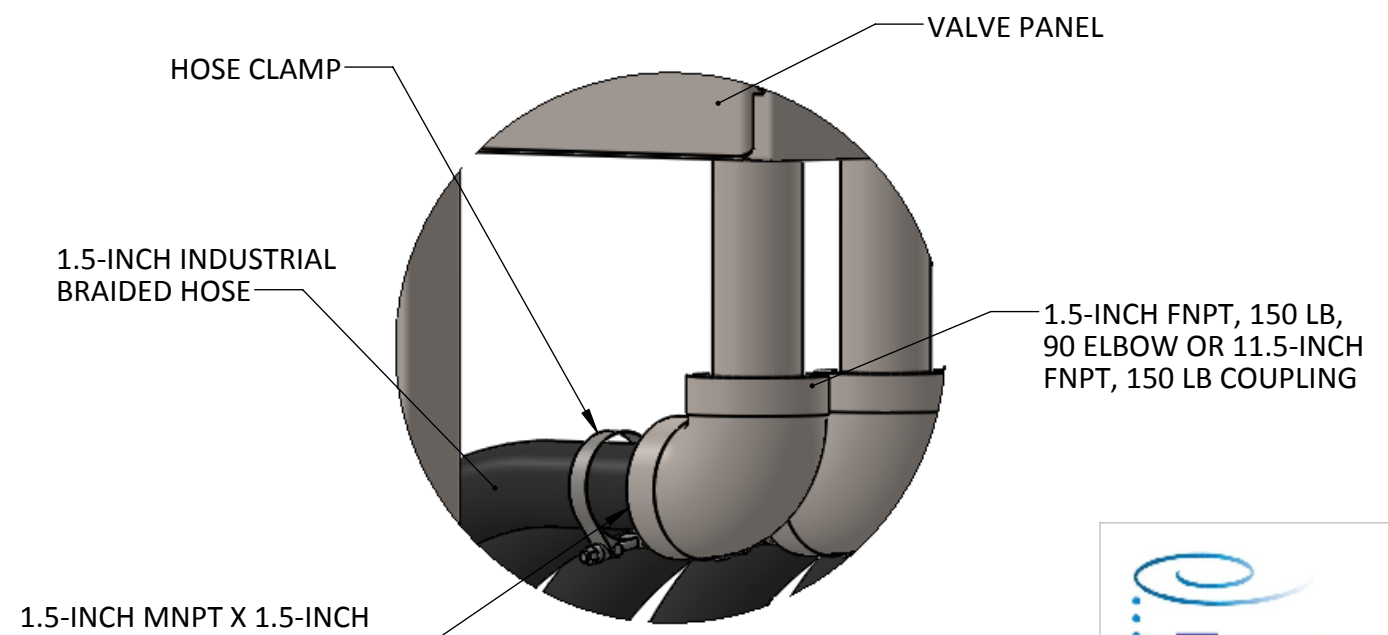
ISOMETRIC RENDERING - FRONT VIEW



1.5-INCH MNPT X 1.5-INCH HOSE BARB KING NIPPLE

1.5-INCH FNPT X BALL VALVE

DETAIL A
SCALE 1 : 4



HOSE CLAMP

VALVE PANEL

1.5-INCH INDUSTRIAL BRAIDED HOSE

1.5-INCH FNPT, 150 LB, 90 ELBOW OR 1.5-INCH FNPT, 150 LB COUPLING

1.5-INCH MNPT X 1.5-INCH HOSE BARB KING NIPPLE

DETAIL B
SCALE 1 : 4



PROJECT:
HENDERSON, CO

SACWSD WILLIAMS MONACO BNR UPGRADES

SIZE ITEM
B VALVE CONTROL PANEL CONNECTION DETAILS

REV
1.0

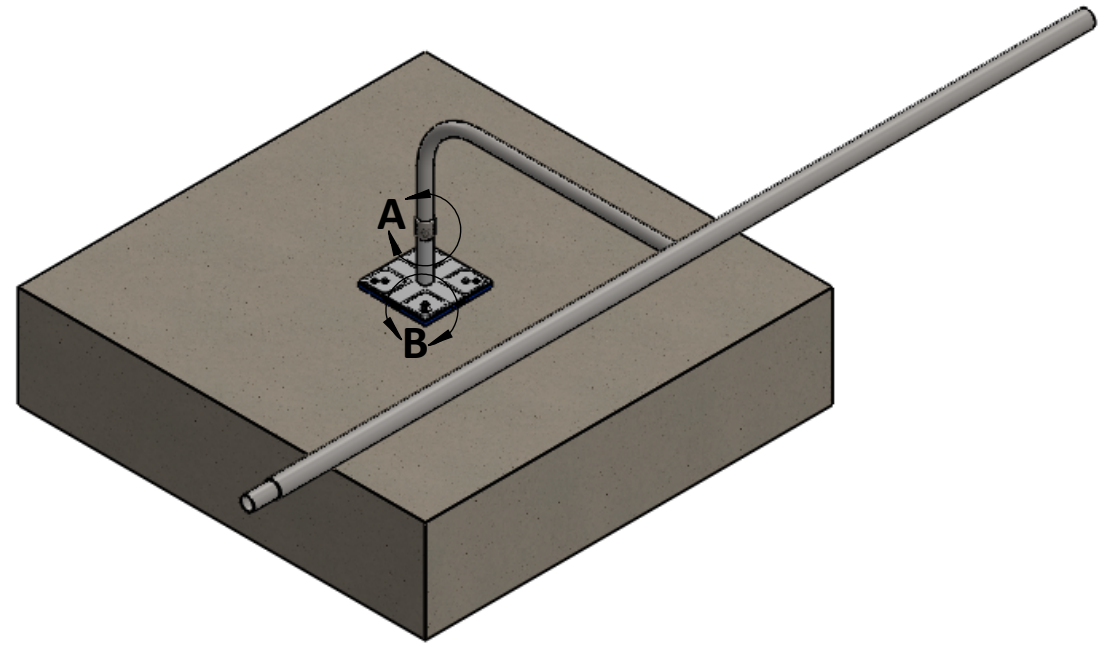
COMMENTS:
NONE

	NAME	DATE
DRAWN	WLE	10/10/14
CHECKED	-	-

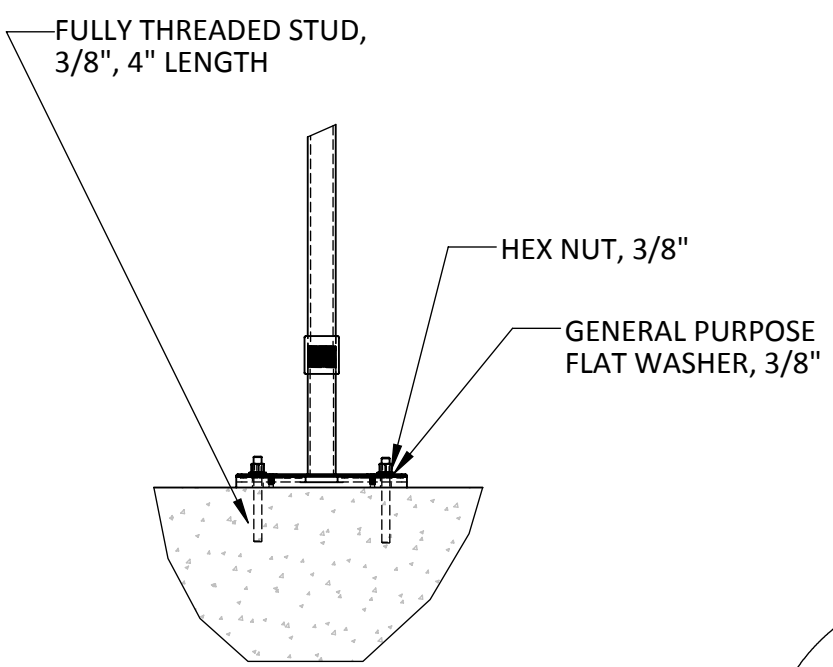
PROPRIETARY AND CONFIDENTIAL
THE INFORMATION CONTAINED IN THIS DRAWING IS THE SOLE PROPERTY OF ENVIROMIX. ANY REPRODUCTION IN PART OR AS A WHOLE WITHOUT THE WRITTEN PERMISSION OF ENVIROMIX IS PROHIBITED.

MATERIAL
STAINLESS STEEL
FINISH
N/A
QUANTITY
-

NOTE:
ADHESIVE ANCHORED
(PROVIDED BY CONTRACTOR)

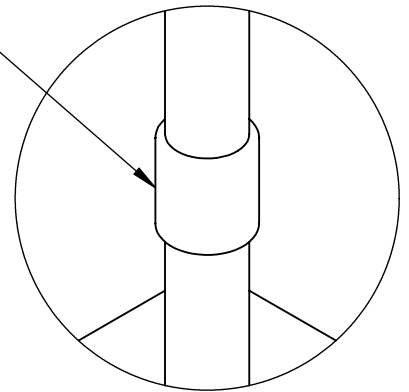


FLAT FLOOR INSTALLATION DETAIL

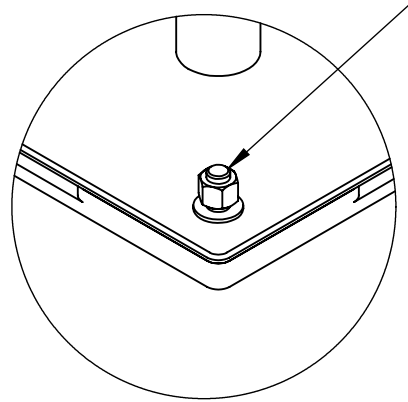


NOZZLE SECTION

CONNECT NOZZLE TO HEADER USING
1" NPT COUPLING



DETAIL A



DETAIL B

FOR FLAT FLOOR
INSTALL MIN. OF 2 ADHESIVE
ANCHORS WITH 2" EMBEDMENT.
SHALL BE 3/8" X 4" THREADED
RODS. ADHESIVE SHALL BE HILTI
HIT-RE 500.



PROJECT:
HENDERSON, CO

SACWSD WILLIAMS MONACO BNR
UPGRADES

SIZE	ITEM	REV
B	NOZZLE/NOZZLE HEADER INSTALLATION DETAILS	1.0

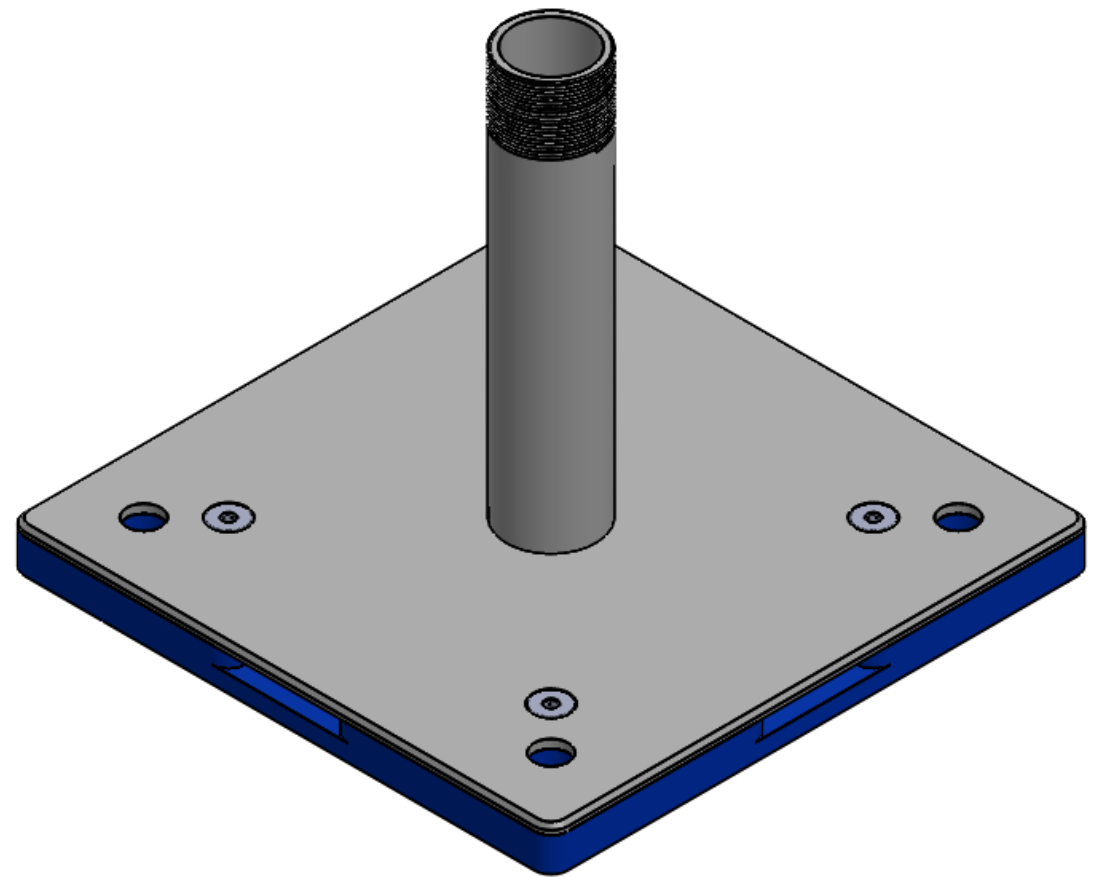
DO NOT SCALE DRAWING SCALE: 1:3 SD - 3

	NAME	DATE	PROPRIETARY AND CONFIDENTIAL THE INFORMATION CONTAINED IN THIS DRAWING IS THE SOLE PROPERTY OF ENVIROMIX. ANY REPRODUCTION IN PART OR AS A WHOLE WITHOUT THE WRITTEN PERMISSION OF ENVIROMIX IS PROHIBITED.	MATERIAL	COMMENTS: NONE
DRAWN	WLE	10/10/14		FINISH	
CHECKED	-	-		QUANTITY	
				STAINLESS STEEL	
				N/A	

8 7 6 5 4 3 2 1

D
C
B
A

D
C
B
A



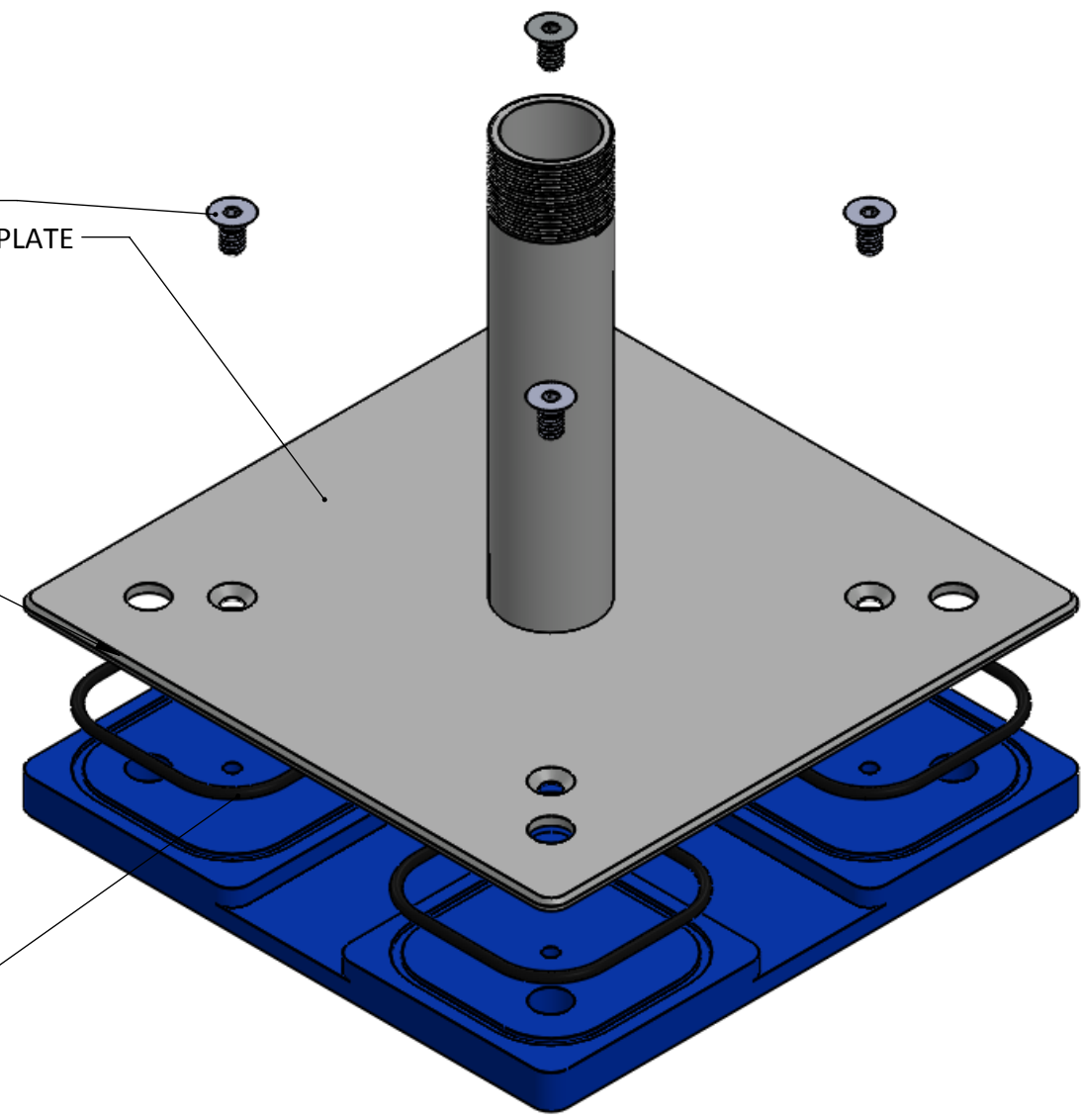
ISOMETRIC VIEW

316SS, FLAT HEAD
SOCKET CAP SCREW,
1/4-20 THREAD, 0.25-
INCH LENGTH
(TYP OF 4)

NOZZLE TOP PLATE

NOZZLE GASKETS,
TYP OF 4

NOZZLE BOTTOM
PLATE



EXPLODED VIEW



PROJECT:
HENDERSON, CO

SACWSD WILLIAMS MONACO BNR
UPGRADES

SIZE	ITEM	REV
B	NOZZLE DETAILS	1.0

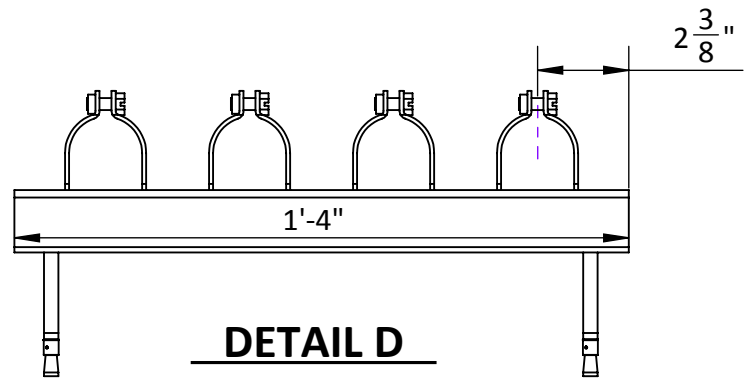
	NAME	DATE	PROPRIETARY AND CONFIDENTIAL THE INFORMATION CONTAINED IN THIS DRAWING IS THE SOLE PROPERTY OF ENVIROMIX. ANY REPRODUCTION IN PART OR AS A WHOLE WITHOUT THE WRITTEN PERMISSION OF ENVIROMIX IS PROHIBITED.	MATERIAL	COMMENTS: NONE	
DRAWN	WLE	10/10/14		MATERIAL		STAINLESS STEEL
CHECKED	-	-		FINISH		N/A
			QUANTITY	-		

DO NOT SCALE DRAWING SCALE: 1:2 SD - 4

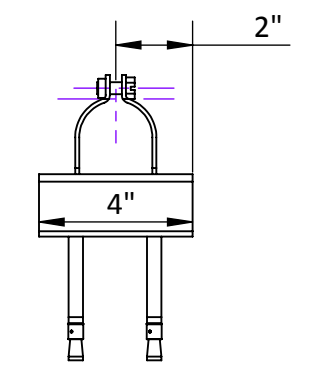
8 7 6 5 4 3 2 1

8 7 6 5 4 3 2 1

D

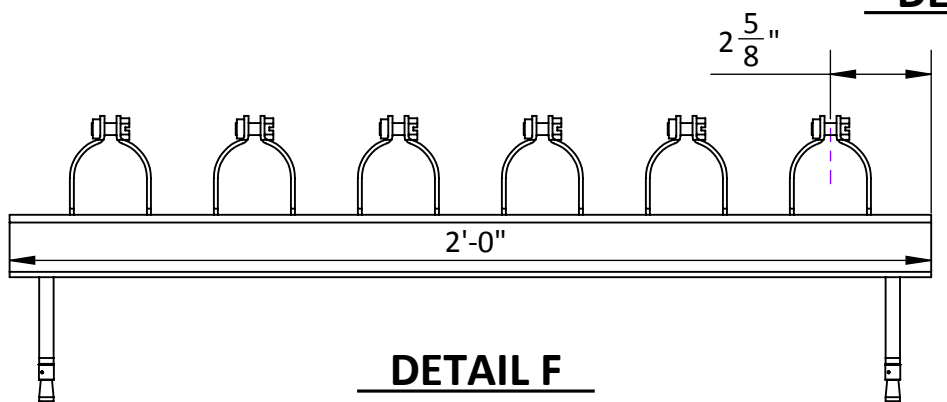


DETAIL D

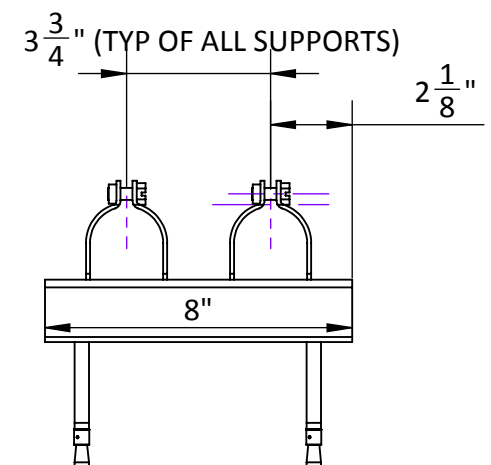


DETAIL A

C

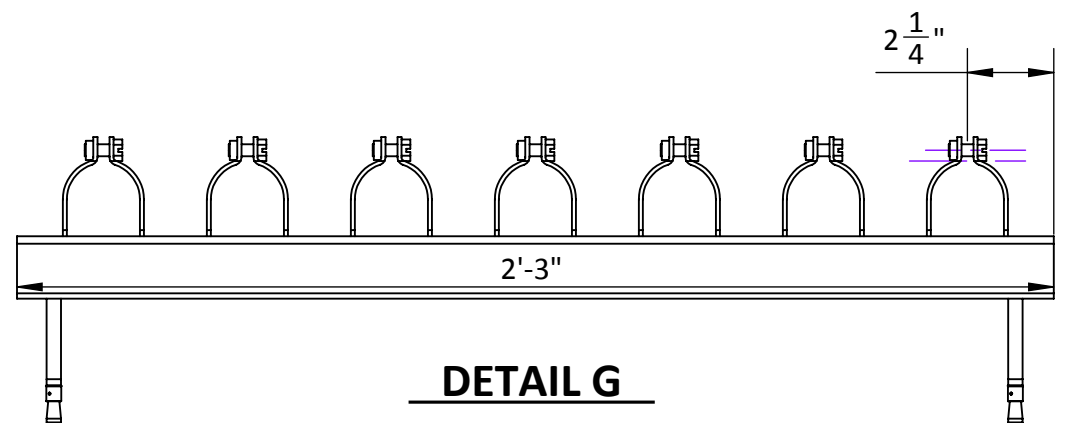


DETAIL F

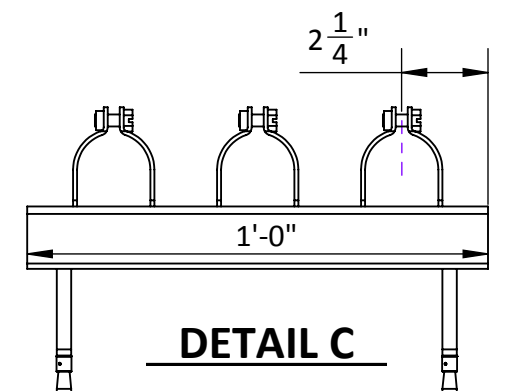


DETAIL B

B

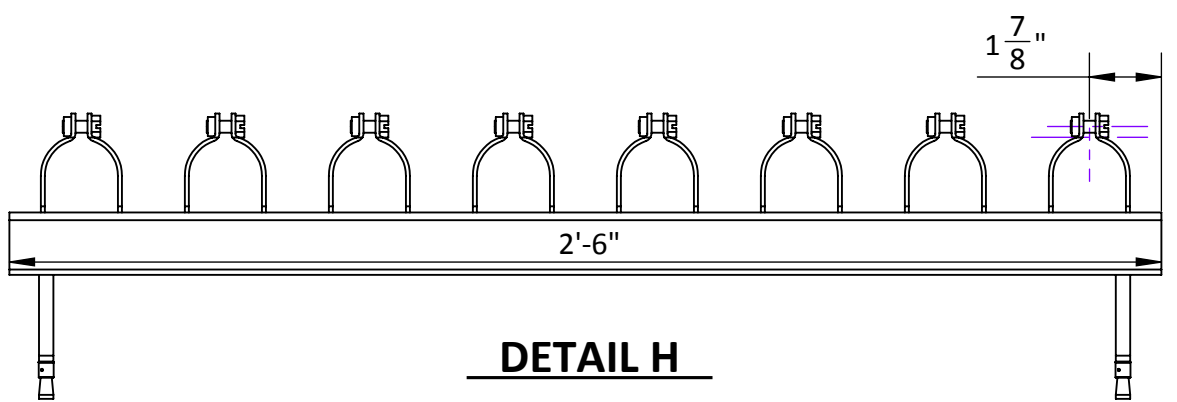


DETAIL G

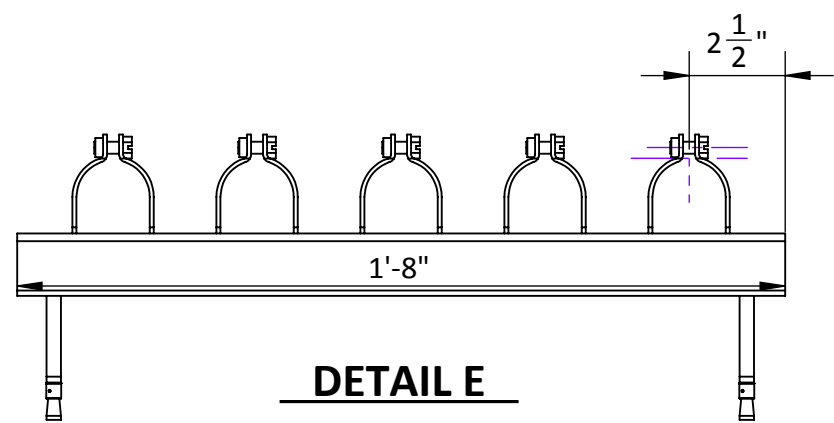


DETAIL C

A



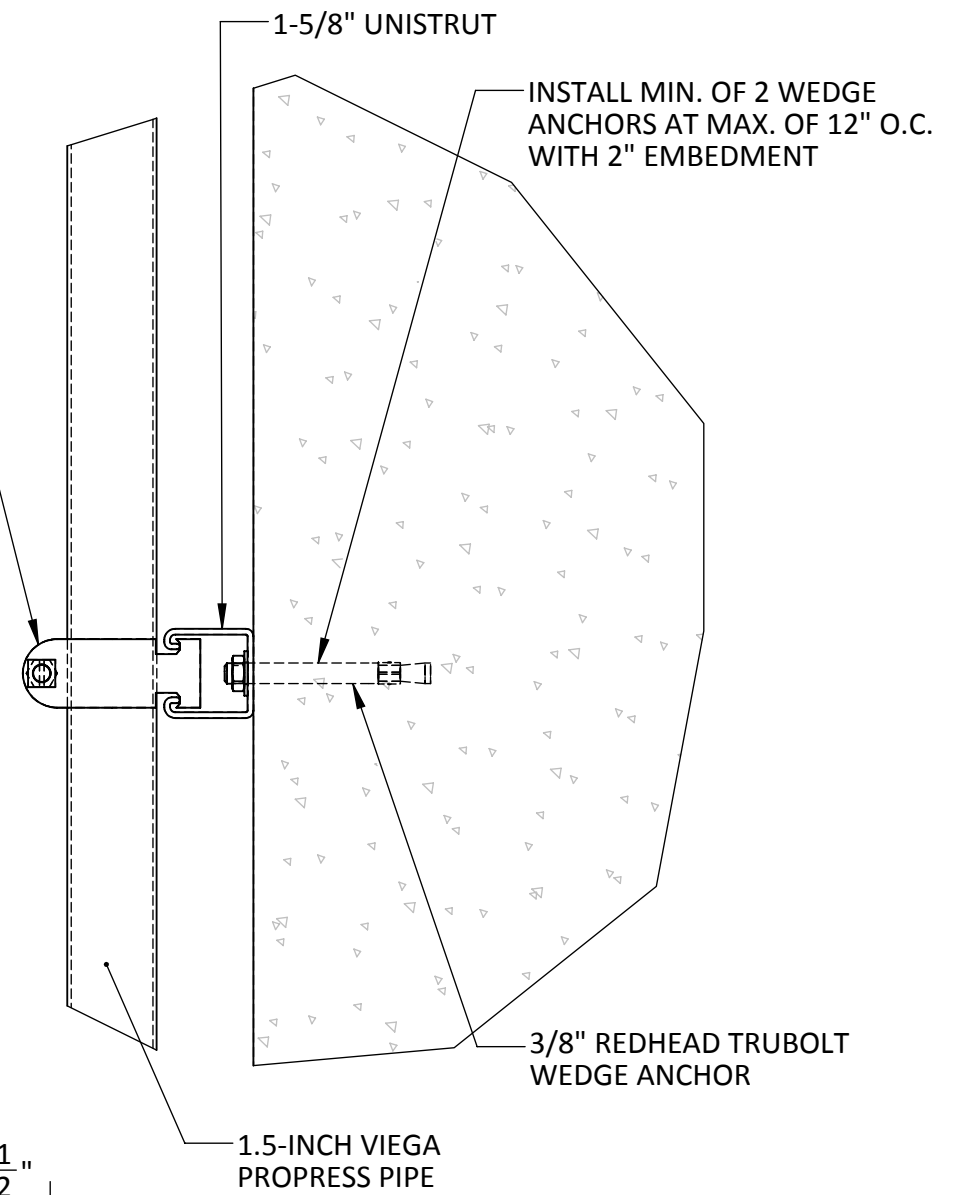
DETAIL H



DETAIL E

PIPE CLAMP

PIPE SUPPORT MOUNTING DETAIL



PROJECT:
HENDERSON, CO

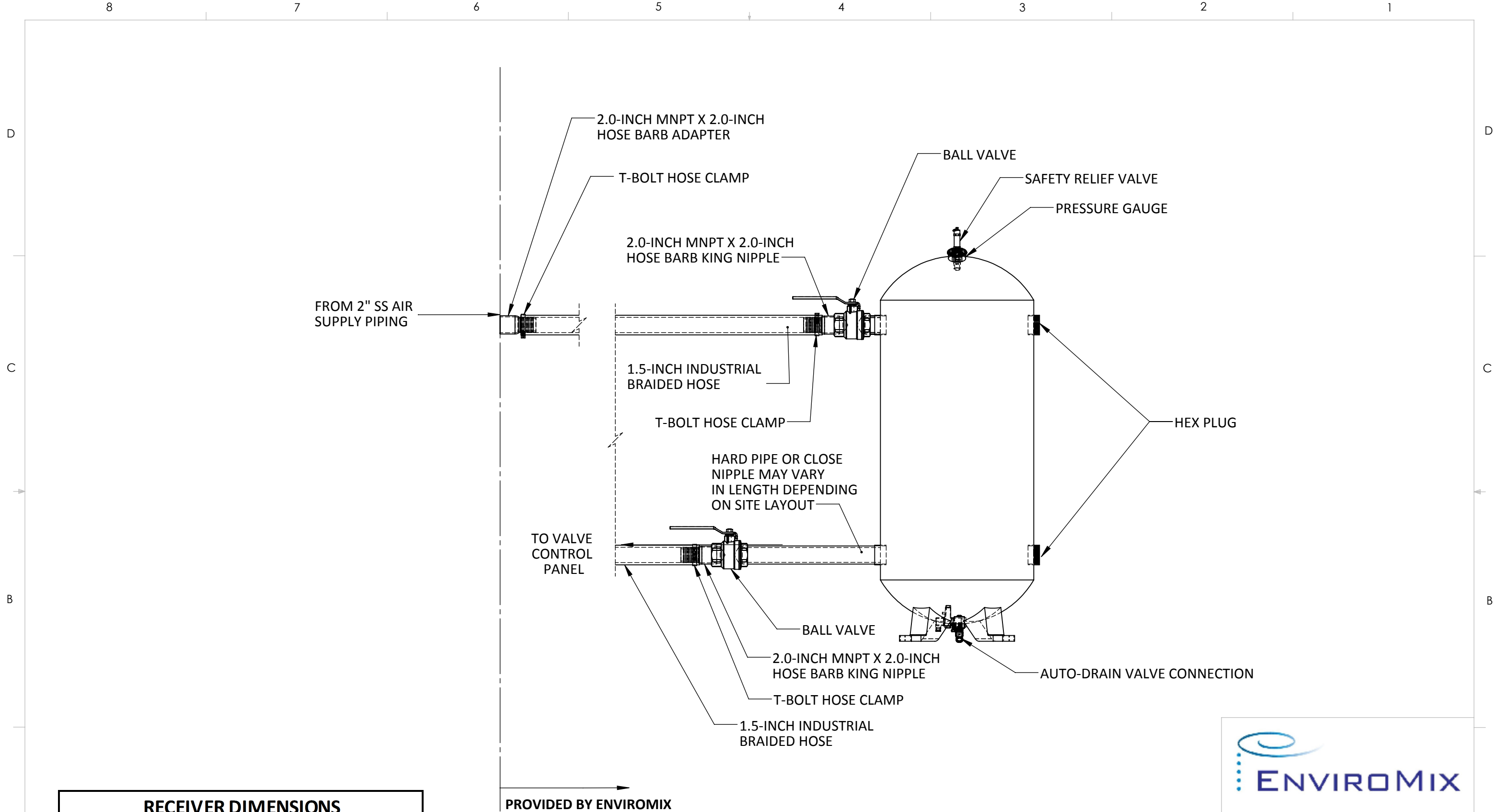
SACWSD WILLIAMS MONACO BNR
UPGRADES

SIZE	ITEM	REV
B	PIPE SUPPORT DETAILS	1.0

DO NOT SCALE DRAWING SCALE: 1:5 SD - 5

	NAME	DATE	PROPRIETARY AND CONFIDENTIAL THE INFORMATION CONTAINED IN THIS DRAWING IS THE SOLE PROPERTY OF ENVIROMIX. ANY REPRODUCTION IN PART OR AS A WHOLE WITHOUT THE WRITTEN PERMISSION OF ENVIROMIX IS PROHIBITED.	MATERIAL STAINLESS STEEL FINISH N/A QUANTITY -	COMMENTS: NONE
DRAWN	WLE	10/10/14			
CHECKED	-	-			

8 7 6 5 4 3 2 1



RECEIVER DIMENSIONS		
GALLONS	WIDTH	HEIGHT
60	20.00"	48.00"
120	24.00"	67.00"
240	30.00"	84.00"

	NAME	DATE	PROPRIETARY AND CONFIDENTIAL THE INFORMATION CONTAINED IN THIS DRAWING IS THE SOLE PROPERTY OF ENVIROMIX. ANY REPRODUCTION IN PART OR AS A WHOLE WITHOUT THE WRITTEN PERMISSION OF ENVIROMIX IS PROHIBITED.	MATERIAL STAINLESS STEEL	COMMENTS: NONE
DRAWN	WLE	10/10/14		FINISH N/A	
CHECKED	-	-		QUANTITY	



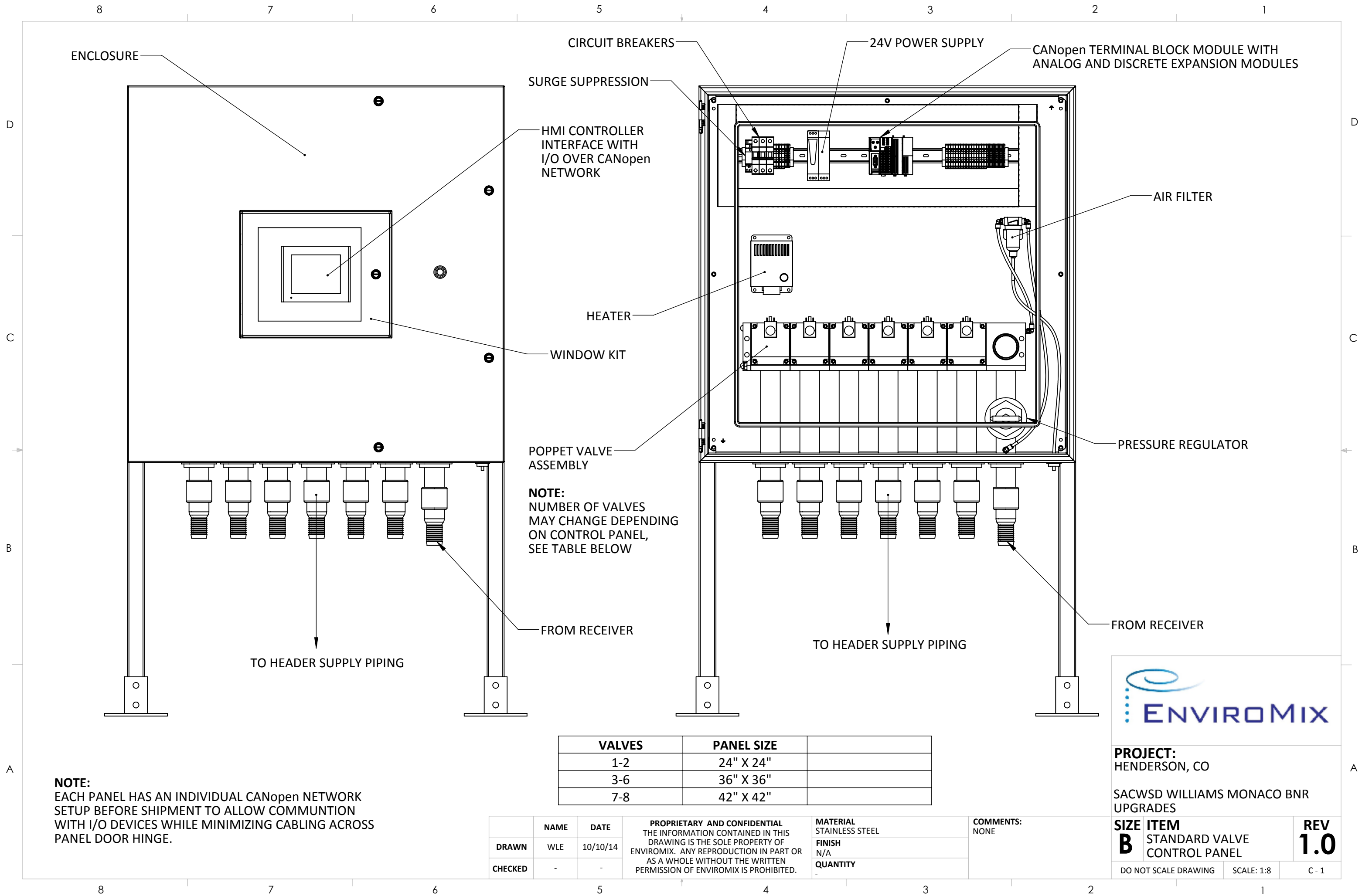
PROJECT:
HENDERSON, CO

SACWSD WILLIAMS MONACO BNR
UPGRADES

SIZE ITEM
B RECEIVER CONNECTION
AND LAYOUT

REV
1.0

DO NOT SCALE DRAWING SCALE: 1:12 SD - 6



PROJECT:
HENDERSON, CO

SACWSD WILLIAMS MONACO BNR
UPGRADES

SIZE	ITEM	REV
B	STANDARD VALVE CONTROL PANEL	1.0

DO NOT SCALE DRAWING	SCALE: 1:8	C-1
----------------------	------------	-----

	NAME	DATE	PROPRIETARY AND CONFIDENTIAL THE INFORMATION CONTAINED IN THIS DRAWING IS THE SOLE PROPERTY OF ENVIROMIX. ANY REPRODUCTION IN PART OR AS A WHOLE WITHOUT THE WRITTEN PERMISSION OF ENVIROMIX IS PROHIBITED.	MATERIAL STAINLESS STEEL	COMMENTS: NONE
DRAWN	WLE	10/10/14		FINISH N/A	
CHECKED	-	-		QUANTITY	